

Electric Chain Hoists | 2 1/2 – 5 Ton | NERM | Motorized Trolley | Single Speed

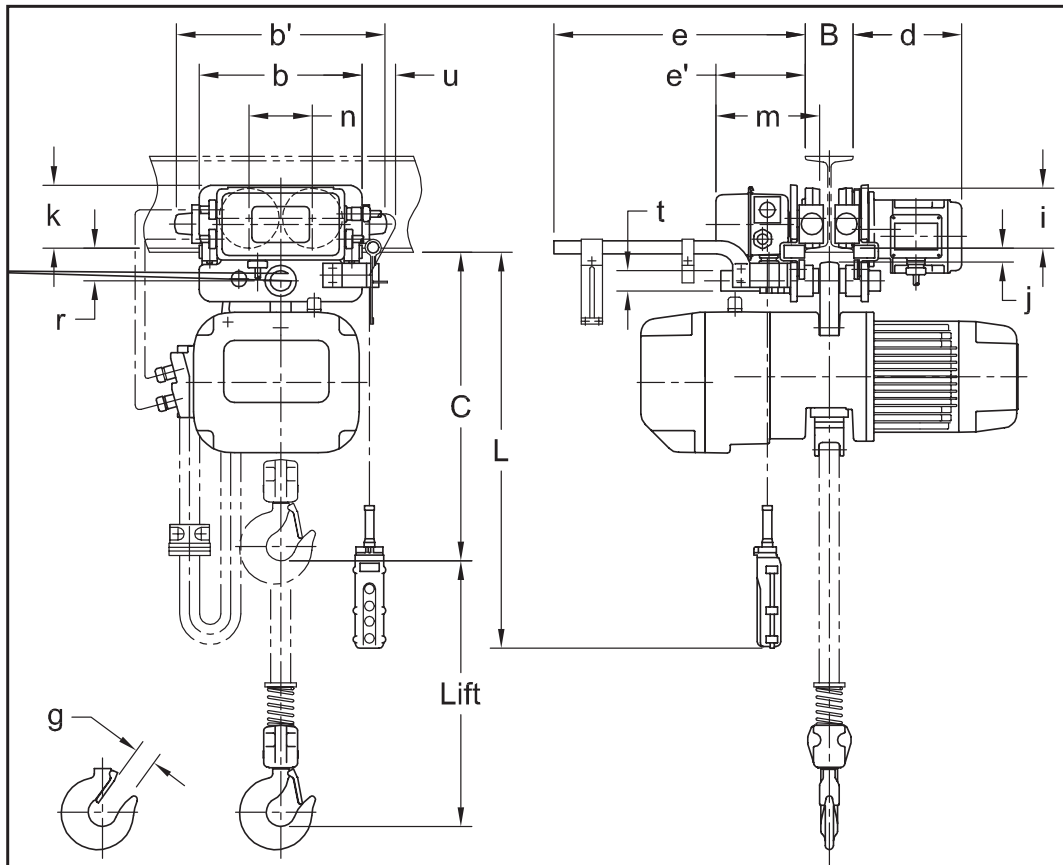
Model NERM025S


Single Speed Hoist with Single Speed Trolley – Specifications

Capacity (Tons)	Model	Style	Lifting Speed (ft./min.)	Traversing Speed (ft./min.)	Headroom	Lifting Motor 3 Phase 60 Hz			Traversing Motor 3 Phase 60 Hz			Flange Range		Min. Radius	Load Chain Dia. (mm)	Weight (lbs.)	Weight for Add'l One Foot of Lift (lbs.)	Strands of Load Chain
						Output (Hp)	Rated Current (amps)		Output (Hp)	Rated Current (amps)		Standard	Optional					
							@208-230V	@460V		@208-230V	@460V							
2 1/2	NERM025S-L/S	NERM1	23	L=40, S=80	24.2"	4.7	18.3	9.2	0.5	3.2	1.6	3.23" to 6.02"	6.03" to 7.02" OR 7.03" to 12.00"	39.4	11.2 x 34.40	334	1.9	1
2 1/2	NERM025S-L/S	NERM2	22		24.4"		16.4	7.9	0.54						11.2 x 31.20			
5	NERM050L-L/S	NERM1	12		33.1"		18.3	9.2	1.0	5.1	2.5	3.94" to 7.01"	7.02" to 7.60" OR 7.61" to 12.00"	70.9	11.2 x 34.40	423	4.0	2
5	NERM050L-L/S	NERM2	11				16.4	7.9							11.2 x 31.20			

Green shading reflects rental inventory.

Electric Chain Hoists | 2 1/2 – 5 Ton | NERM | Motorized Trolley | Single Speed

NERM030L-L

Single Speed Hoist with Single Speed Trolley - Dimensions

Capacity (Tons)	Model	Style	B		b (in)	b1 (in)	C (in)	d (in)	e (in)	e1 (in)	g (in)	i (in)	j (in)	k (in)	m (in)	n (in)	r (in)	t (in)	u (in)
			Standard (in)	Optional (in)															
2 1/2	NERM025S-L/S	NERM1	3.23 to 6.02	6.03 to 7.02 OR 7.03 to 12.00	13.4	17.4	24.2	8.9	20.5	7.3	1.6	4.92	1.1	5.2	8.5	5.2	2.7	1.69	2.7
2 1/2	NERM025S-L/S	NERM2		24.4			2.8												
5	NERM050L-L/S	NERM1	3.94 to 7.01	7.02 to 7.60 OR 7.61 to 12.00	15.7	19.8	32.7	11.1	20.8	7.6	1.8	5.51	1.7	5.7	9.2	5.9	3.4	2.13	1.5
5	NERM050L-L/S	NERM2		33.1			11.0				1.9								

Green shading reflects rental inventory.