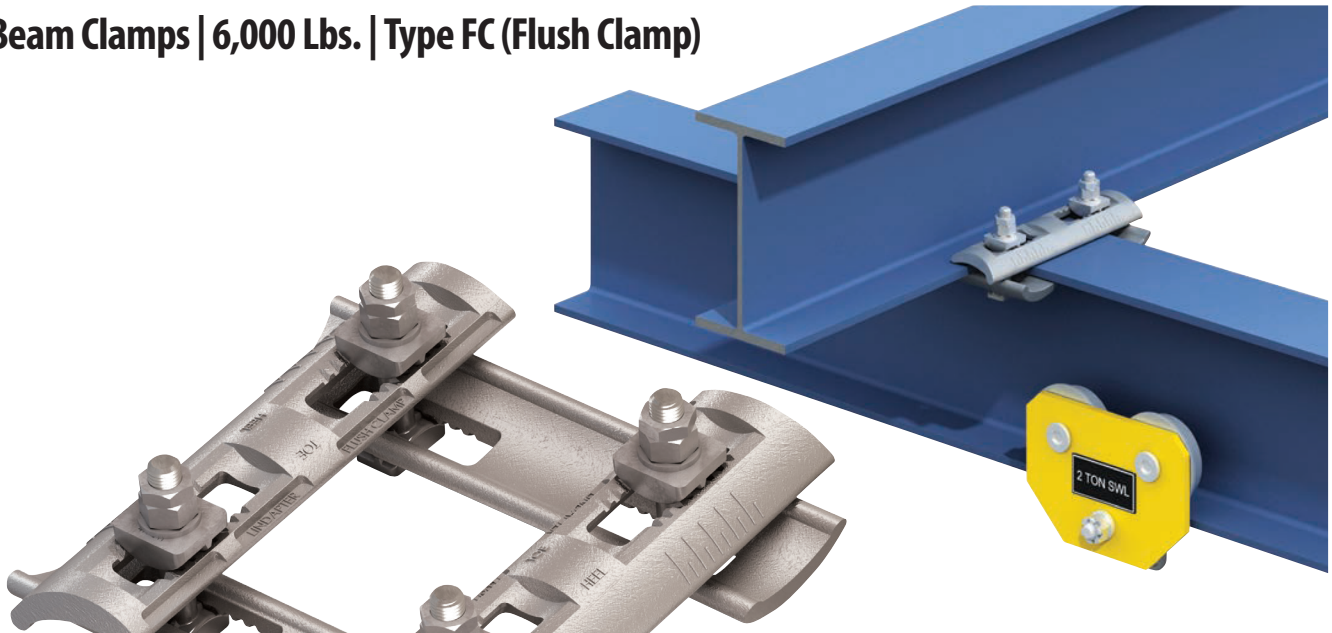
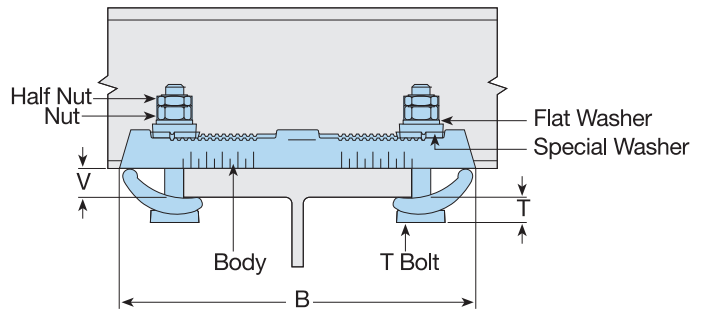


Beam Clamps | 6,000 Lbs. | Type FC (Flush Clamp)



- “All-in-one” device for connecting steel sections.
- Adjustable to suit both beam width and flange thickness.
- Quick and easy to install.
- For parallel and tapered flanges up to 10°.



Specifications

Model	Special Bolt Size	Safe Working Loads (FOS 5:1)		Tightening Torque ft./lbs.	Clamping Range		Dimensions	
		Tensile Resistance 4 Bolts (lbs.)	Slip Resistance 4 Bolts (lbs.)		Flange Thickness V	Flange Width ¹	T	B
LFCM16	M16 (5/8")	6744	1686	108	3/16" – 3/4"	3" – 7"	7/8" – 1 1/16"	12"

Green shading reflects rental inventory.

¹Depending on beam connection angles (see table below).

Minimum Possible Beam Connection Angles

Top Beam							
Flange Width		3"	4"	5"	6"	7"	
Bottom Beam	3"	45°	50°	55°	65°	75°	
	4"	50°	50°	55°	65°	75°	
	5"	55°	55°	55°	65°	75°	
	6"	65°	65°	65°	65°	75°	
	7"	75°	75°	75°	75°	80°	

