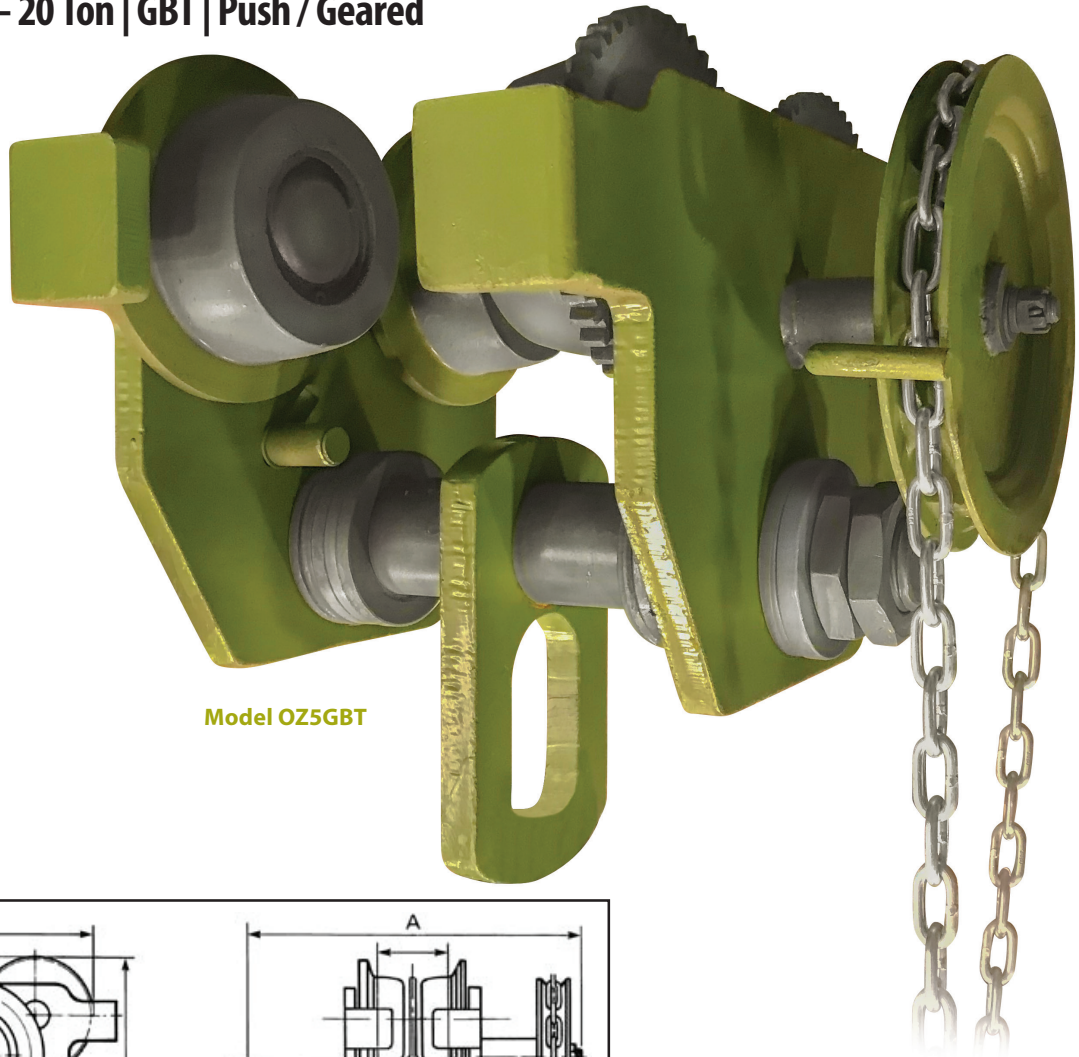
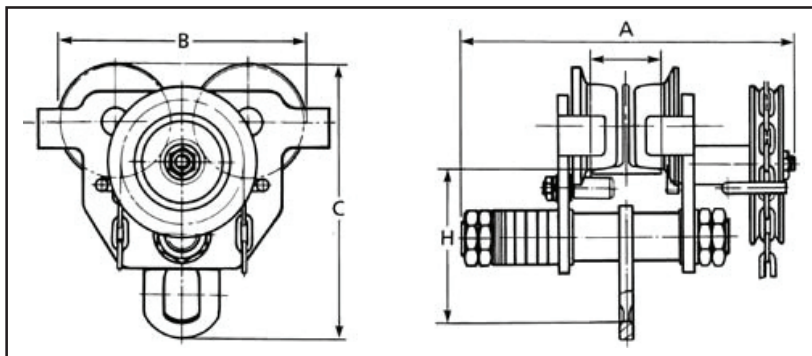


**Beam Trolleys | 3 – 20 Ton | GBT | Push / Geared**

**Model OZ5GBT**

**GBT Specifications**

Model	WLL (lbs.)	Adjustable Flange Width (in.)	A (in.)	B (in.)	C (in.)	H (in.)	Minimum Radius Curve (ft.)	Weight (lbs.)
OZ3GBT	6,000	4.00 – 8.00	15.55	12.60	12.48	7.30	4.92	63
OZ5GBT	10,000	4.49 – 8.00	16.10	13.78	15.08	9.09	5.24	98
OZ10GBT	20,000	4.92 – 8.00	15.79	16.85	16.06	8.31	6.00	171
OZ20GBT	40,000	5.39 – 13.00	25.48	25.28	24.49	12.40	14.76	565

*Green shading reflects rental inventory.*