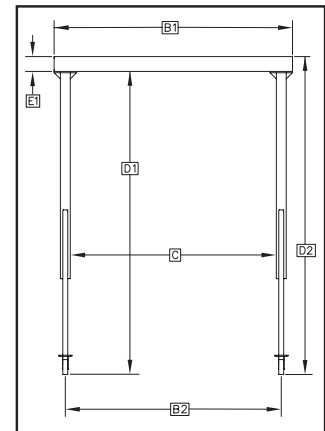
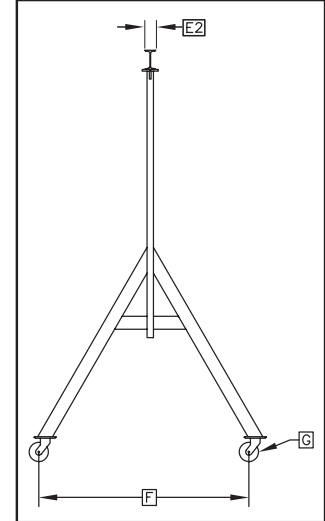




**THE LIFTING EXPERTS**

(800) 878-7305 [www.RentLGH.com](http://www.RentLGH.com) [Rentals@RentLGH.com](mailto:Rentals@RentLGH.com)

## Steel Gantries | 3 Ton | A-Series | Adjustable



A Series – Steel Adjustable Height/Span													
Capacity (Tons)	B1 Overall Span (ft)	B2 Span Between Wheel Centers	C Clear Span	D1 Height Under Beam		D2 Overall Height		E1 Beam Size (in)	E2 Beam Flange Width (in)	F Tread Width	G Wheel Dia. (in)	Weight (lbs)	Model No.
				Min.	Max.	Min.	Max.						
3 Ton	10	9' 1"	8' 6"	9' 4"	12' 10"	10' 2"	13' 8"	S10 X 25.4#	4 5/8	6' 6"	8	793	3A1012
		9' 1"	8' 6"	12' 4"	15' 10"	13' 2"	16' 8"	S10 X 25.4#	4 5/8	6' 6"	8	857	3A1015
	15	14' 1"	13' 6"	9' 4"	12' 10"	10' 2"	13' 8"	S10 X 25.4#	4 5/8	6' 6"	8	990	3A1512
		14' 1"	13' 6"	12' 4"	15' 10"	13' 2"	16' 8"	S10 X 25.4#	4 5/8	6' 6"	8	1054	3A1515
	20	19' 1"	18' 6"	9' 4"	12' 10"	10' 9"	14' 3"	S15 X 42.9#	5 1/2	6' 6"	8	1469	3A2012
		19' 1"	18' 6"	12' 4"	15' 10"	13' 9"	17' 3"	S15" X 42.9#	5 1/2	6' 6"	8	1531	3A2015
	25	24' 1"	23' 6"	9' 4"	12' 10"	10' 11"	14' 5"	S18 X 54.7#	6	6' 6"	8	1978.5	3A2512
		24' 1"	23' 6"	12' 4"	15' 10"	13' 11"	17' 5"	S18 X 54.7#	6	6' 6"	8	2066.5	3A2515
	30	29' 1"	28' 6"	9' 4"	12' 10"	10' 11"	14' 5"	S18 X 54.7#*	6	6' 6"	8	2252	3A3012
		29' 1"	28' 6"	12' 4"	15' 10"	13' 11"	17' 5"	S18 X 54.7#*	6	6' 6"	8	2340	3A3015
	35	34' 1"	33' 6"	9' 4"	12' 10"	11' 2"	14' 8"	S18 X 54.7#*	6	6' 6"	8	2525.5	3A3512
		34' 1"	33' 6"	12' 4"	15' 10"	14' 2"	17' 8"	S18 X 54.7#*	6	6' 6"	8	2613.5	3A3515
	40	39' 1"	38' 6"	9' 4"	12' 10"	11' 5"	14' 11"	S18 X 54.7#*	6	6' 6"	8	2799	3A4012
		39' 1"	38' 6"	12' 4"	15' 10"	14' 5"	17' 11"	S18 X 54.7#*	6	6' 6"	8	2887	3A4015

Green shading reflects rental inventory.  
\* Capped I-Beam

