

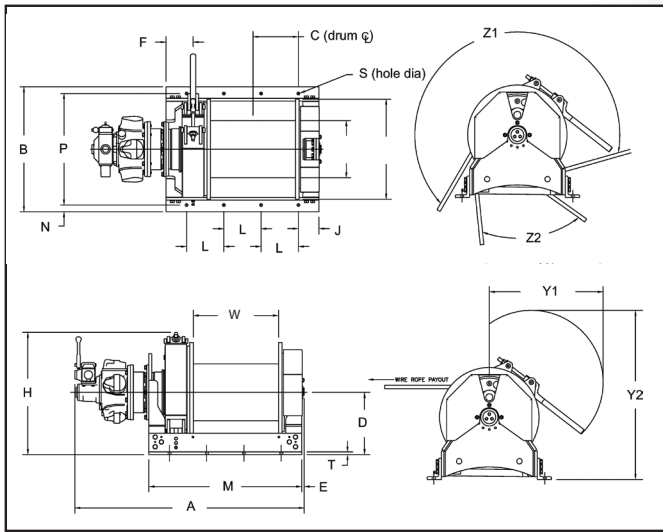
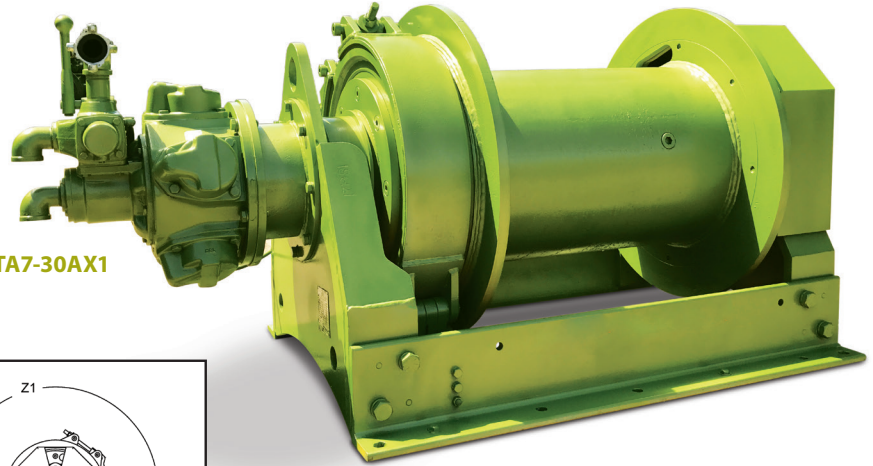


THE LIFTING EXPERTS

(800) 878-7305 www.RentLGH.com Rentals@RentLGH.com

Air Winches | 15,900 Lbs. | TA7 Model

Model TA7-30AX1



TA7 Series Dimensions

Model	A (in)	B (in)	C (in)	D (in)	E (in)	F (in)	H (in)	J (in)	L (in)	M (in)	N (in)	P (in)	S (hole diameter) (in)	T (in)	W (in)	Y1 (in)	Y2 (in)	Z1	Z2	# Bolts	Bolt Hole Size Grade (in)
TA7-24	69	38	15.41	20	1	9.25	37.00	5.38	9.00	47	1.88	34.25	0.94	0.75	24.00	32.00	51.00	210°	39°	10	7/8-G8
TA7-30	75	38	17.41	20	1	9.25	37.00	6.38	10.00	53	1.88	34.25	0.94	0.75	30.00	32.00	51.00	210°	39°	10	7/8-G8
TA7-36	81	38	19.41	20	1	9.25	37	7.38	11.00	59	1.88	34.25	0.94	0.75	36.00	32.00	51.00	210°	39°	10	7/8-G8

Green shading reflects rental inventory.

TA7 Series Performance Characteristics

Model	Load Rating 1st Layer (lbs)	Load Rating Mid-Drum (lbs)	Load Rating Full Drum (lbs)	Line Speed 1st Layer (fpm)	Line Speed Mid-Drum (fpm)	Line Speed Full Drum (fpm)	Drum Capacity 1st Layer (ft)	Drum Capacity Mid-Drum (ft)	Drum Capacity Full Drum (ft)	Input HP	Max. Stall Pull 1st Layer (lbs)	Wire Rope Diameter (in)	Pressure (psi)	Flow	Pipe Inlet (in)	Hose Size (in)	Approximate Ship Weight (lbs)
TA7-24	23,600	19,000	15,900	19	24	29	120	520	1,150	14.4	38,000	.88	90	550 scfm	1.5	1.5	3,600
TA7-30	23,600	19,000	15,900	19	24	29	160	650	1,440	14.4	38,000	.88	90	550 scfm	1.5	1.5	3,765
TA7-36	23,600	19,000	15,900	19	24	29	190	520	1,150	14.4	38,000	.88	90	550 scfm	1.5	1.5	3,965

Green shading reflects rental inventory.

