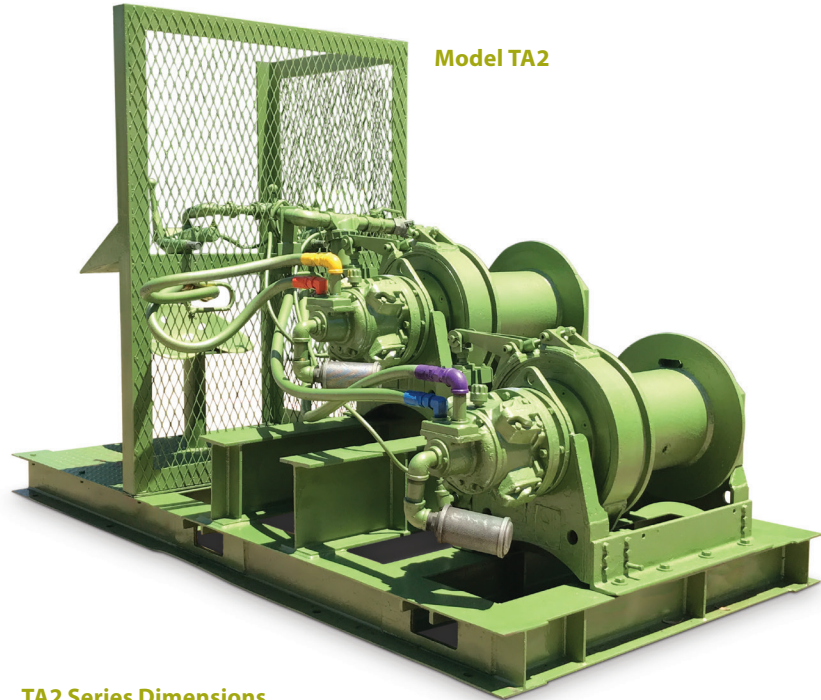


## Double Drum Air Winch | 4,700 Lbs. | TA2 Model - 16" Drum

Specifications	
Winch Model	TA2-16MX1
Load Rating – 1st Layer	7,200 lbs.
Load Rating – Mid Drum	5,700 lbs.
Load Rating – Full Drum	4,700 lbs.
Line Speed – 1st Layer	30 fpm.
Line Speed – Mid Drum	38 fpm.
Line Speed – Full Drum	46 fpm.
Drum Capacity – 1st Layer	83 ft.
Drum Capacity – Mid Drum	180 ft.
Drum Capacity – Full Drum	850 ft.
Input HP	7.1 hp.
Max. Stall Pull – 1st Layer	9,000 lbs.
Wire Rope Diameter	.5 in.
Pressure	90 psi.
Flow	250 scfm.
Pipe Inlet Size	1 in.
Hose Size	1.25 in.
Approximate Ship Weight	2,800 lbs.

Green shading reflects rental inventory.

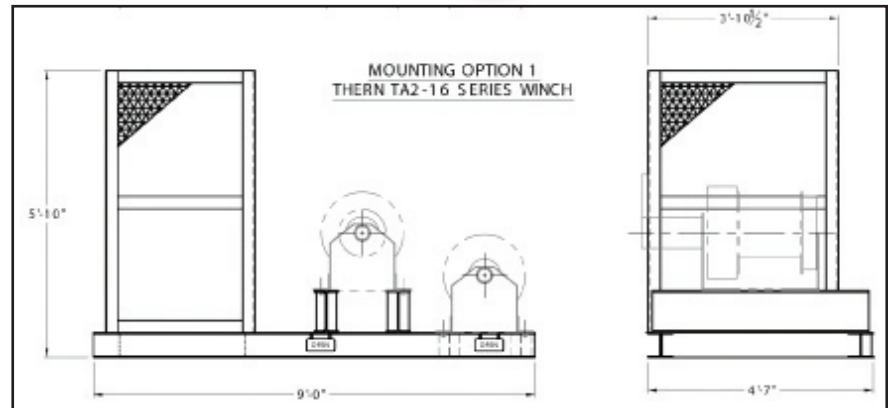


Model TA2

Dimensions	
Item	TA2-16MX1
A	44 in.
C	9.06 in.
J	28.50 in.
K	2.88 in.
L	7.50 in.
W	16.00 in.
Z1	223°
Z2	34°
Bolt Hole Size Grade	5/8 in. – G8

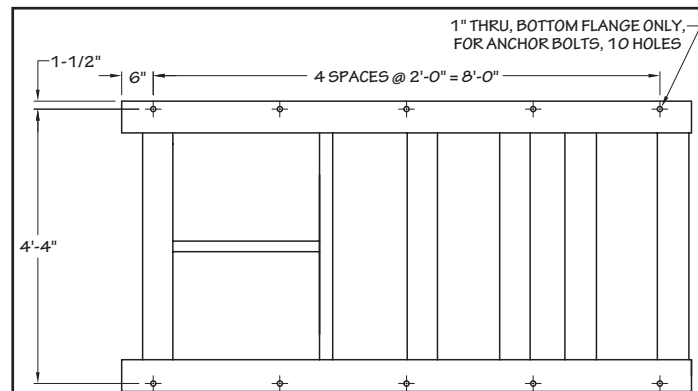
Specification Drawings to match the information in this table can be found on page 101 of this catalog.  
Green shading reflects rental inventory.

### TA2 Series Dimensions



Measurements in this diagram reflect the dimensions of the winch frame ONLY.  
Refer to the dimension table for more information.

### Bottom View, Anchor Bolt Hole Diagram

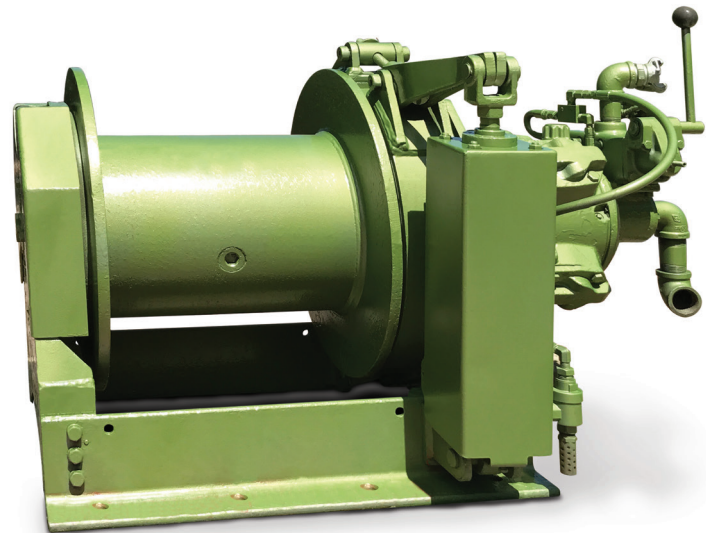




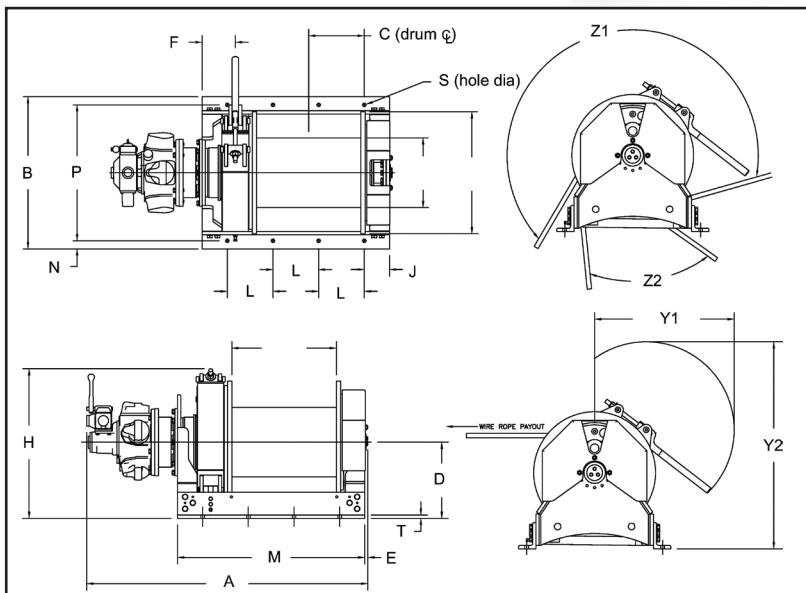
**THE LIFTING EXPERTS**

(800) 878-7305 [www.RentLGH.com](http://www.RentLGH.com) [Rentals@RentLGH.com](mailto:Rentals@RentLGH.com)

## Air Winches | 4,700 Lbs. | TA2 Model



**Model TA2-16MX1**



TA2 Series Dimensions													
Item	A	C	F	H	J	K	L	W	Y1	Y2	Z1	Z2	Bolt Hole Size Grade
TA2-16MX1	44.00"	9.06"	5.25"	28.50"	28.50"	2.88"	7.50"	16.00"	20.00"	37.00"	223°	34°	5/8" – G8

Green shading reflects rental inventory.

TA2 Series Performance Characteristics																	
Model	Load Rating 1st Layer	Load Rating Mid-Drum	Load Rating Full Drum	Line Speed 1st Layer	Line Speed Mid-Drum	Line Speed Full Drum	Drum Capacity 1st Layer	Drum Capacity Mid-Drum	Drum Capacity Full Drum	Input HP	Max. Stall Pull 1st Layer	Wire Rope Diameter	Pressure	Flow	Pipe Inlet Size	Hose Size	Approximate Ship Weight
TA2-16	7,200 lbs.	5,700 lbs.	4,700 lbs.	30 fpm	38 fpm	46 fpm	83'	380'	850'	7.1 hp	9,000 lbs.	.5"	90 psi	250 scfm	1"	1.25"	990 lbs.

Green shading reflects rental inventory.

