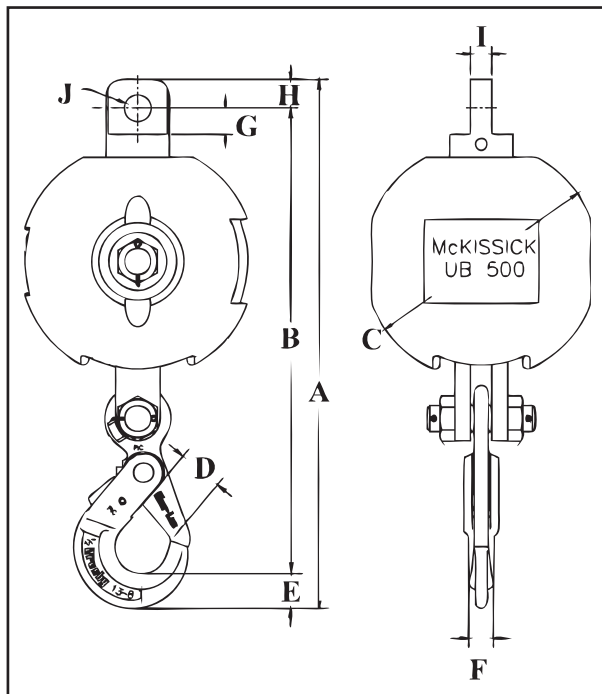


## Headache/Overhaul Balls | 4 – 10 Ton

Specifications		
Model	Capacity (tons)	Weight (lbs)
MB4T35	4	58
MB4T85	4	102
MB4T150	4	162
MB7T85	7	109
MB7T150	7	170
MB10T150	10	216

*Green shading reflects rental inventory.*



Model MB4T35



Dimensions										
Model	A	B	C	D	E	F	G	H	I	J
MB4T35	20.66	18.18	7.50	1.83	1.15	.94	1.88	1.38	.88	1.31
MB4T85	21.55	19.05	9.25	1.83	1.15	.94	1.88	1.38	.88	1.31
MB4T150	22.55	20.05	11.25	1.83	1.15	.94	1.88	1.38	.88	1.31
MB7T85	23.90	21.30	9.25	2.11	1.66	1.15	1.88	1.38	.88	1.31
MB7T150	25.28	22.30	11.25	2.11	1.66	1.16	1.88	1.38	.88	1.31
MB10T150	31.44	27.19	11.25	2.08	2.25	1.62	2.75	2.00	.88	1.78

*Green shading reflects rental inventory.*