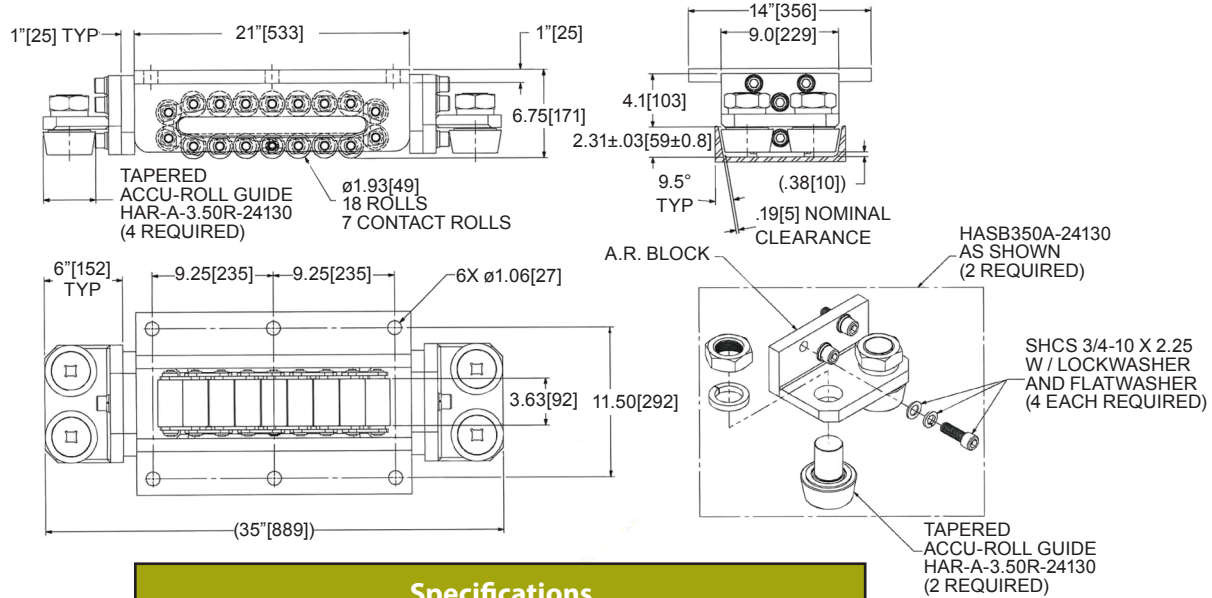


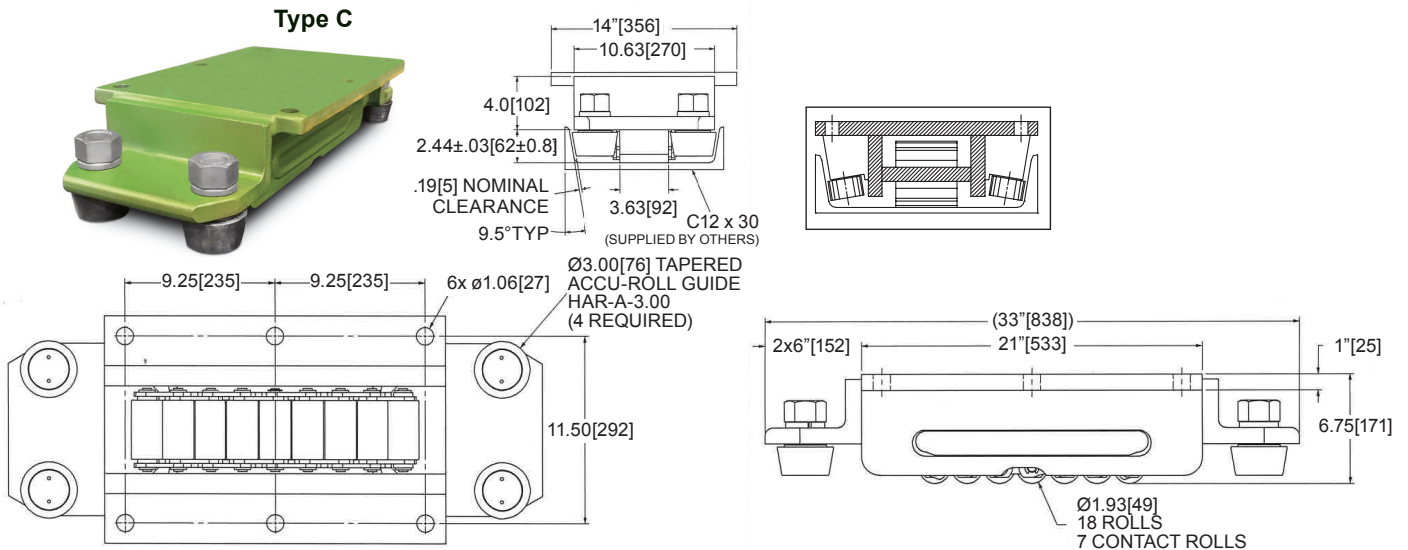
75 – 100 Ton | OTB and XOT Models



Specifications						
Capacity (Tons)	Model	Height	Top Plate Width	Top Plate Length	Weight	Contact Rolls
		in	in	in		
75	75-OTB	6.75	14	21	341	7

Green shading reflects rental inventory.

Type C



Specifications						
Capacity (Tons)	Model	Height	Top Plate Width	Top Plate Length	Weight	Contact Rolls
		in	in	in		
100	100-XOT	6 3/4	14	21	250	7

Green shading reflects rental inventory.