

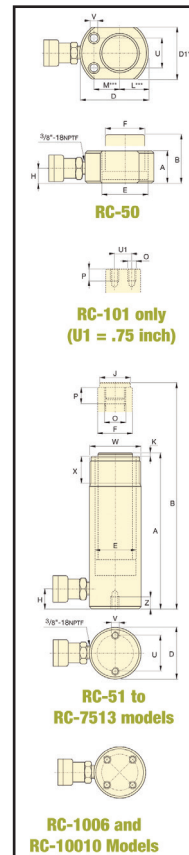
Hydraulic Cylinders | 5 – 100 Ton | RC Series | Single Acting - Spring Return

**Model
RC256**

**Model
RC506**

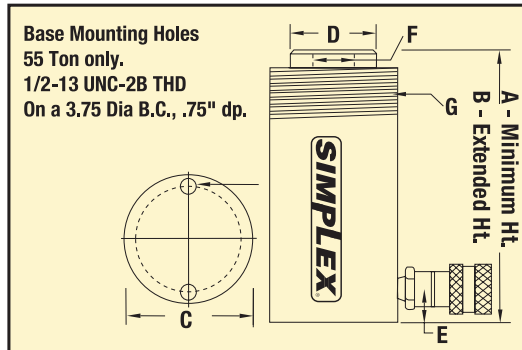

NOTE: Additional sizes available for rent. Consult LGH for availability.

Specifications															
Model	Cylinder Cap. Tons (Max)	Stroke (in.)	Cylinder Effective Area (in.2)	Oil Cap. (in.3)	A Collapsed Height (in.)	B Extended Height (in.)	D Outside Dia. (in.)	E Cylinder Bore Dia. (in.)	F Plunger Dia. (in.)	Base to Adv. Port H (in.)	J Saddle Dia. (in.)	K Saddle Protrusion from Plngr. (in.)	W Collar Thread (in.)	X Collar Thread Length (in.)	Weight (lbs.)
RC-55	5 (4.9)	5.00	.99	4.97	8.50	13.50	1.50	1.13	1.00	.75	1.00	.25	1 1/2-16	1.13	4.1
RC-101	10 (11.2)	1.00	2.24	2.24	3.53	4.53	2.25	1.69	1.50	.75	-	-	2 1/4-14	1.06	4.0
RC-102		2.13	2.24	4.75	4.78	6.91	2.25	1.69	1.50	.75	1.38	.25	2 1/4-14	1.13	5.1
RC-104		4.13	2.24	9.23	6.75	10.88	2.25	1.69	1.50	.75	1.38	.25	2 1/4-14	1.06	7.2
RC-106		6.13	2.24	13.70	9.75	15.88	2.25	1.69	1.50	.75	1.38	.25	2 1/4-14	1.13	9.8
RC-108		8.00	2.24	17.89	11.75	19.75	2.25	1.69	1.50	.75	1.38	.25	2 1/4-14	1.06	12
RC-1010		10.13	2.24	22.65	13.75	23.88	2.25	1.69	1.50	.75	1.38	.25	2 1/4-14	1.13	14
RC-1012	12.00	2.24	26.84	15.75	27.75	2.25	1.69	1.50	.75	1.38	.25	2 1/4-14	1.06	15	
RC-152	15 (15.7)	2.00	3.14	6.28	5.88	7.88	2.75	2.00	1.63	.75	1.50	.38	2 3/4-16	1.19	9
RC-154		4.00	3.14	12.57	7.88	11.88	2.75	2.00	1.63	.75	1.50	.38	2 3/4-16	1.19	11
RC-156		6.00	3.14	18.85	10.69	16.69	2.75	2.00	1.63	1.00	1.50	.38	2 3/4-16	1.19	15
RC-1510		10.00	3.14	31.42	14.69	24.69	2.75	2.00	1.63	1.00	1.50	.38	2 3/4-16	1.19	21
RC-1514		14.00	3.14	43.98	18.69	32.69	2.75	2.00	1.63	1.00	1.50	.38	2 3/4-16	1.19	26
RC-252	25 (25.8)	2.00	5.16	10.31	6.50	8.50	3.38	2.56	2.25	1.00	2.00	.41	3 3/8-12	1.94	14
RC-254		4.00	5.16	20.63	8.50	12.50	3.38	2.56	2.25	1.00	2.00	.41	3 3/8-12	1.94	18
RC-256		6.25	5.16	32.23	10.75	17.00	3.38	2.56	2.25	1.00	2.00	.41	3 3/8-12	1.94	22
RC-2510		10.25	5.16	52.86	14.75	25.00	3.38	2.56	2.25	1.00	2.00	.41	3 3/8-12	1.94	31
RC-2512		12.25	5.16	63.18	16.75	29.00	3.38	2.56	2.25	1.00	2.00	.41	3 3/8-12	1.94	36
RC-2514		14.25	5.16	73.49	18.75	33.00	3.38	2.56	2.25	1.00	2.00	.41	3 3/8-12	1.94	39
RC-504	50 (55.2)	4.00	11.04	44.18	8.94	12.94	5.00	3.75	3.13	1.31	2.81	.11	5-12	2.19	42
RC-506		6.25	11.04	69.03	11.13	17.38	5.00	3.75	3.13	1.38	2.81	.11	5-12	2.19	51
RC-5013		13.25	11.04	146.34	18.13	31.38	5.00	3.75	3.13	1.38	2.81	.11	5-12	2.19	83
RC-756	75 (79.5)	6.13	15.90	97.41	11.25	17.38	5.75	4.50	3.75	1.19	2.81	.23	5 3/4-12	1.75	65
RC-1006	100 (103.1)	6.63	20.63	136.67	14.06	20.69	7.00	5.13	4.13	1.63	2.81	.11	6 7/8-12	1.75	130
RC-10010		10.25	20.63	211.45	17.69	27.94	7.00	5.13	4.13	1.63	2.81	.11	6 7/8-12	1.75	160



**RC-50 cylinder has non-removable grooved saddle and no collar thread.
Green shading reflects rental inventory.

Hydraulic Cylinders | 55 – 100 Ton | R Series | Single Acting - Spring Return


Model R-5513


Contractors called on the brute force of Simplex R5513 cylinders to lift and position highway ramps in San Diego. G6 provided the power and control in this rough outdoor application.

Specifications

Model	Cap. (tons)	Stroke (in.)	Oil Cap. Req'd (cu. in.)	Ram Bore Dia. (in.)	Effect Area (sq. in.)	Pres. @ Cap. (psi)	A	B	C	D	E	F		G		Wgt. (lbs.)	Sugstd. Hand Pump
							Min. Ht. (in.)	Ext. Ht. (in.)	Body O.D. (in.)	Piston O.D. (in.)	Base to Port C/L (in.)	Piston I.D. Thrds (in.)	Piston Thrds Depth (in.)	Collar Thrds (in.)	Collar Thrd Lgth (in.)		
R554	55	4.0	44.16	3.75	11.04	9,960	8.94	12.94	5	3.13	1.38	—	—	5-12	2.81	42	P82A
R556	55	6.19	69.0	3.75	11.04	9,960	11.06	17.25	5	3.13	1.38	—	—	5-12	2.81	51	†
R5513	55	13.25	146.3	3.75	11.04	9,960	18.26	31.51	5	3.13	1.38	—	—	5-12	2.81	83	†
R756	75	6.06	95.4	4.5	15.90	9,430	11.31	17.37	5.75	3.75	1.19	—	—	5.75-12	1.75	65	†
R1006	100	6.63	137.0	5.13	20.63	9,695	14.06	20.69	7	4.13	1.62	—	—	6.87-12	1.75	90	†
R10010	100	10.25	212.0	5.13	20.63	9,695	17.69	27.94	7	4.13	1.62	—	—	6.87-12	1.75	110	†

Green shading reflects rental inventory.

+ Power pumps are suggested for these units.