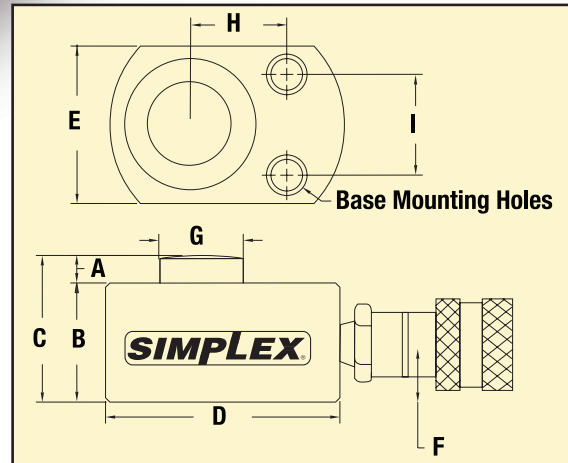
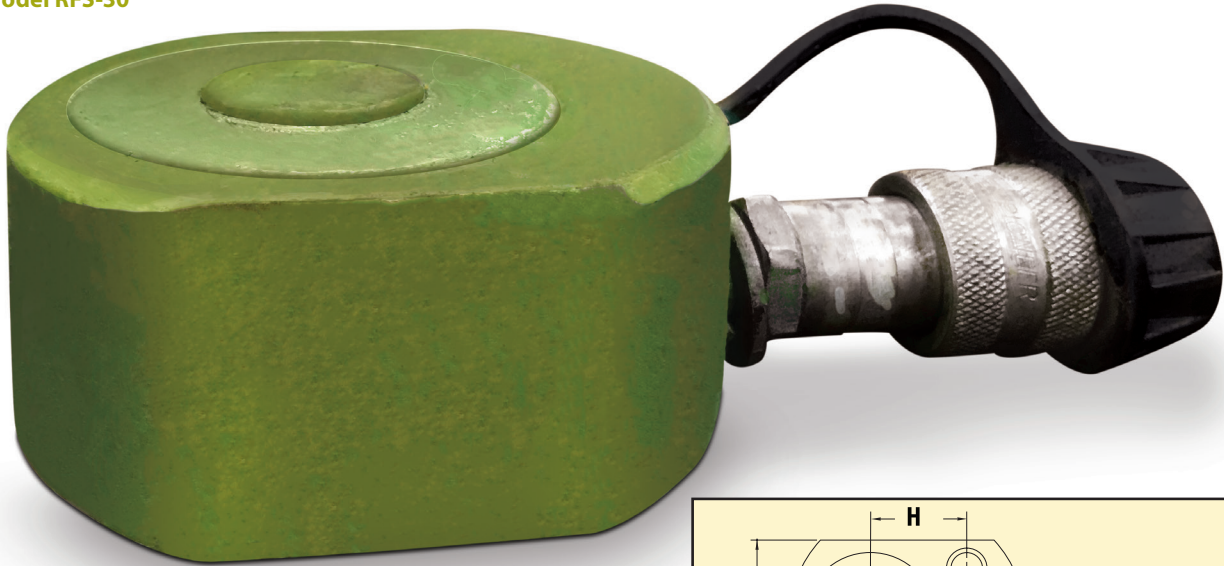


Synchronous Lifting | 8 - 24 Point Lift System

Model RFS-30



Mounting Hole Dimensions

Capacity	H (in.)	I (in.)	Base Mounting Hole Dimensions (in.)
5 Ton	1	1 1/8	7/32 through x 21/64 C'Bore (1/4 Deep)
10 Ton	1 11/32	1 13/32	9/32 through x 27/64 C'Bore (5/16 Deep)
20 Ton	1 9/16	1 15/16	21/64 through x 5/8 Bore (21/64)

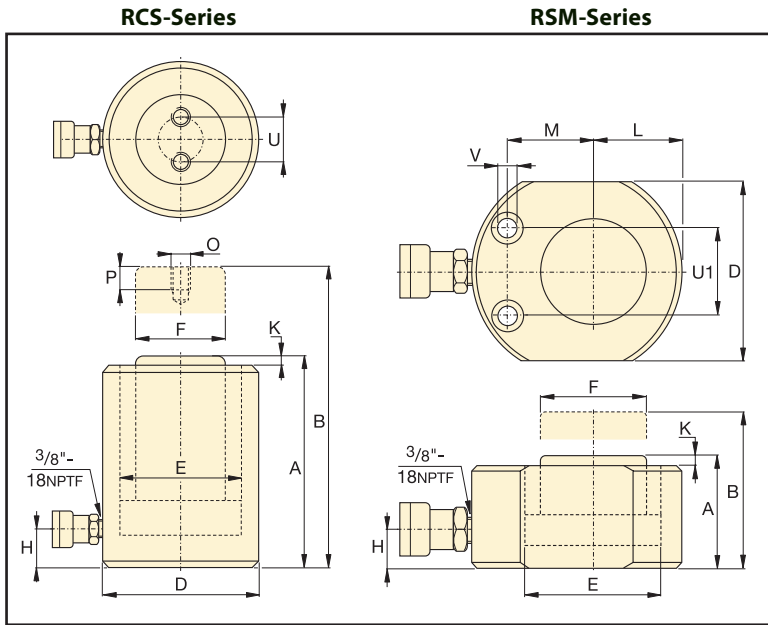
Specifications

Model	Capacity (tons)	A Stroke (in.)	B Min. Ht. (in.)	C Ext Ht. (in.)	Ram Bore Dia. (in.)	Effect Area (sq. in.)	Pres. @ cap. (psi)	Oil Cap. Req'd (cu.in.)	D Body O.D. (in.)	E Piston O.D. (in.)	F Base To Port C/L (in.)	G Piston O.D. Spring Ret. (in.)	Weight (lbs.)	Sugstd. Hand Pump
RFS10	10	7/16	1 11/16	2 1/8	1 11/16	2.24	8,940	1.0	3 1/4	2 3/16	3/4	3/4	3.3	P41/P71
RFS20	20		2 1/32	2 15/32	2 3/8	4.43	9,030	1.9	4	3		1 1/8	6.0	
RFS30	30	1/2	2 5/16	2 13/16	2 7/8	6.49	9,250	3.2	4 1/2	3 3/4		1 3/8	8.5	P42/P72
RFS50	50	5/8	2 5/8	3 1/4	3 1/2	9.62	10,400	6.0	5 1/2	4 1/2		1 3/4	14.3	
RFS75	75		3 1/8	3 3/4	4 1/2	15.90	9,440	10.0	6 1/2	5 1/2		2 1/8	24.5	
RFS100	100		3 3/8	4	5	19.63	10,200	12.3	7	6		2 1/2	31.0	
RFS150	150	9/16	3 15/16	4 1/2	6 1/4	30.66	9,785	17.2	8 1/2	7 1/2		15/16	3	

Green shading reflects rental inventory.

Synchronous Lifting | 8 - 24 Point Lift System

**Model
RSM1000**

**Model
RCS1002**


Specifications

Cylinder Cap. Tons (Max)	Stroke (in.)	Model	Cylinder Effective Area (in ²)	Oil Cap. (in ³)	A Collapsed Height (in.)	B Extended Height (in.)	D Outside Diameter (in.)	E Cylinder Bore Diameter (in.)	F Plunger Diameter (in.)	H Base to Advance Port (in.)	K Plunger Protrusion from Base (in.)	L Plunger to Base (in.)	M Plunger to Mtg. Hole (in.)	Weight (lbs.)
10 (11.2)	.44	RSM-100	2.24	.98	1.69	2.13	3.25 x 2.19	1.69	1.50	.75	.04	1.09	1.34	3.1
20 (22.1)	.44	RSM-200	4.43	1.94	2.03	2.47	4.00 x 3.00	2.38	2.00	.75	.04	1.56	1.56	6.8
30 (32.4)	.50	RSM-300	6.49	3.25	2.31	2.81	4.63 x 3.75	2.88	2.50	.75	.08	1.88	1.75	10
50 (48.1)	.63	RSM-500	9.62	6.01	2.63	3.25	5.50 x 4.50	3.50	2.75	.75	.08	2.25	2.13	15
75 (79.5)	.63	RSM-750	15.90	9.94	3.13	3.75	6.50 x 5.50	4.50	3.25	.75	.08	2.75	2.63	25
100 (98.1)	.63	RSM-1000	19.63	12.27	3.38	4.00	7.00 x 6.00	5.00	3.63	.75	.08	3.00	2.94	32
150 (153.4)	.63	RSM-1500	30.68	19.17	3.94	4.56	8.50 x 7.50	6.25	4.50	.94	.08	3.75	3.25	58
10 (11.2)	1.50	RCS-101	2.24	3.35	3.47	4.97	2.75	1.69	1.50	.69	.20	—	—	6
20 (22.1)	1.75	RCS-201	4.43	7.75	3.88	5.63	3.63	2.38	2.00	.69	.13	—	—	11
30 (32.4)	2.44	RCS-302	6.49	15.82	4.63	7.06	4.00	2.88	2.62	.75	.13	—	—	15
50 (48.1)	2.38	RCS-502	9.62	22.85	4.81	7.19	4.88	3.50	2.75	.94	.08	—	—	22
100 (98.1)	2.25	RCS-1002	19.63	44.18	5.56	7.81	6.50	5.00	3.63	1.25	.06	—	—	46

*RSM-50 is fitted with an AR-400 coupler.
Green shading reflects rental inventory.