

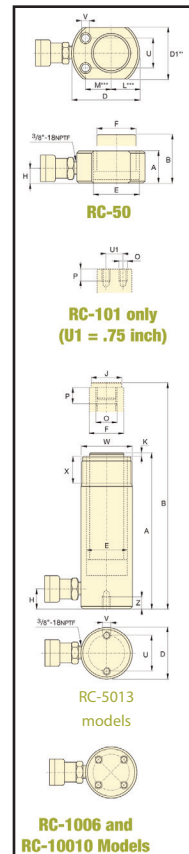
Hydraulic Cylinders | 5 – 100 Ton | RC Series | Single Acting - Spring Return

**Model
RC256**

**Model
RC506**


Specifications

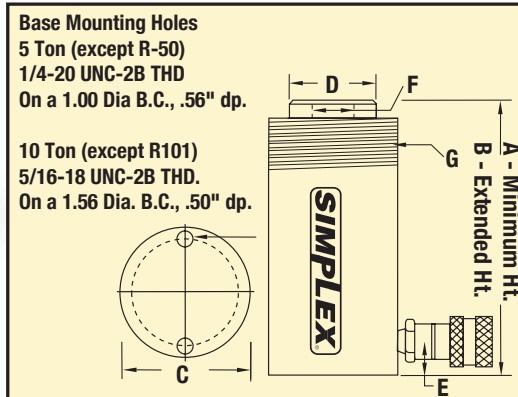
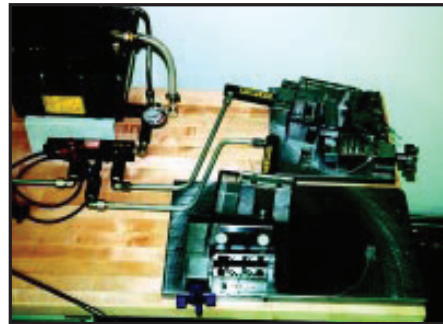
Model	Cylinder Cap. Tons (Max)	Stroke (in.)	Cylinder Effective Area (in.2)	Oil Cap. (in.3)	A Collapsed Height (in.)	B Extended Height (in.)	D Outside Dia. (in.)	E Cylinder Bore Dia. (in.)	F Plunger Dia. (in.)	Base to Adv. Port H (in.)	J Saddle Dia. (in.)	K Saddle Protrusion from Plngr. (in.)	W Collar Thread (in.)	X Collar Thread Length (in.)	Weight (lbs.)
RC-55	5 (4.9)	5.00	.99	4.97	8.50	13.50	1.50	1.13	1.00	.75	1.00	.25	1½-16	1.13	4.1
RC-101	10 (11.2)	1.00	2.24	2.24	3.53	4.53	2.25	1.69	1.50	.75	-	-	2¼-14	1.06	4.0
RC-102		2.13	2.24	4.75	4.78	6.91	2.25	1.69	1.50	.75	1.38	.25	2¼-14	1.13	5.1
RC-104		4.13	2.24	9.23	6.75	10.88	2.25	1.69	1.50	.75	1.38	.25	2¼-14	1.06	7.2
RC-106		6.13	2.24	13.70	9.75	15.88	2.25	1.69	1.50	.75	1.38	.25	2¼-14	1.13	9.8
RC-108		8.00	2.24	17.89	11.75	19.75	2.25	1.69	1.50	.75	1.38	.25	2¼-14	1.06	12
RC-1010		10.13	2.24	22.65	13.75	23.88	2.25	1.69	1.50	.75	1.38	.25	2¼-14	1.13	14
RC-1012		12.00	2.24	26.84	15.75	27.75	2.25	1.69	1.50	.75	1.38	.25	2¼-14	1.06	15
RC-152	15 (15.7)	2.00	3.14	6.28	5.88	7.88	2.75	2.00	1.63	.75	1.50	.38	2¼-16	1.19	9
RC-154		4.00	3.14	12.57	7.88	11.88	2.75	2.00	1.63	.75	1.50	.38	2¼-16	1.19	11
RC-156		6.00	3.14	18.85	10.69	16.69	2.75	2.00	1.63	1.00	1.50	.38	2¼-16	1.19	15
RC-1510		10.00	3.14	31.42	14.69	24.69	2.75	2.00	1.63	1.00	1.50	.38	2¼-16	1.19	21
RC-1514		14.00	3.14	43.98	18.69	32.69	2.75	2.00	1.63	1.00	1.50	.38	2¼-16	1.19	26
RC-252	25 (25.8)	2.00	5.16	10.31	6.50	8.50	3.38	2.56	2.25	1.00	2.00	.41	3¾-12	1.94	14
RC-254		4.00	5.16	20.63	8.50	12.50	3.38	2.56	2.25	1.00	2.00	.41	3¾-12	1.94	18
RC-256		6.25	5.16	32.23	10.75	17.00	3.38	2.56	2.25	1.00	2.00	.41	3¾-12	1.94	22
RC-2510		10.25	5.16	52.86	14.75	25.00	3.38	2.56	2.25	1.00	2.00	.41	3¾-12	1.94	31
RC-2512		12.25	5.16	63.18	16.75	29.00	3.38	2.56	2.25	1.00	2.00	.41	3¾-12	1.94	36
RC-2514	14.25	5.16	73.49	18.75	33.00	3.38	2.56	2.25	1.00	2.00	.41	3¾-12	1.94	39	
RC-502	50 (55.2)	2.00	11.04	22.09	6.94	8.94	5.00	3.75	3.13	1.31	2.81	.11	5-12	2.19	33
RC-504		4.00	11.04	44.18	8.94	12.94	5.00	3.75	3.13	1.31	2.81	.11	5-12	2.19	42
RC-506		6.25	11.04	69.03	11.13	17.38	5.00	3.75	3.13	1.38	2.81	.11	5-12	2.19	51
RC-5013		13.25	11.04	146.34	18.13	31.38	5.00	3.75	3.13	1.38	2.81	.11	5-12	2.19	83
RC-756	75 (79.5)	6.13	15.90	97.41	11.25	17.38	5.75	4.50	3.75	1.19	2.81	.23	5¾-12	1.75	65
RC-1006	100 (103.1)	6.63	20.63	136.67	14.06	20.69	7.00	5.13	4.13	1.63	2.81	.11	6¾-12	1.75	130
RC-10010		10.25	20.63	211.45	17.69	27.94	7.00	5.13	4.13	1.63	2.81	.11	6¾-12	1.75	160



**RC-50 cylinder has non-removable grooved saddle and no collar thread.
Green shading reflects rental inventory.

All specifications and data relating to capacity, function, performance, size, purpose, or design have been provided by the manufacturer. They have not been independently verified by LGH and LGH makes no representation or warranty as to their accuracy or completeness.

Hydraulic Cylinders | 5 – 10 Ton | R Series | Single Acting - Spring Return

Model R-108


Specifications

Model	Cap. (tons)	Stroke (in.)	Oil Cap. Req'd (cu. in.)	Ram Bore Dia. (in.)	Effect Area (sq. in.)	Pres. @ Cap. (psi)	A	B	C	D	E	F		G		Wgt. (lbs.)	Sugstd. Hand Pump
							Min. Ht. (in.)	Ext. Ht. (in.)	Body O.D. (in.)	Piston O.D. (in.)	Base to Port C/L (in.)	Piston I.D. Thrds (in.)	Piston Thrds Depth (in.)	Collar Thrds (in.)	Collar Thrd Lgth (in.)		
R55	5	5.13	4.97	1.13	.99	10,000	8.52	13.65	1.5	1.0	0.75	0.75--16	0.75	1.5--16	1.13	4.1	P42
R102	10	2.19	4.18	1.69	2.24	8,945	4.78	6.97	2.25	1.50	0.75	1--8	0.75	2.25--14	1.13	5.1	P42
R104	10	4.19	9.2	1.69	2.24	8,945	6.78	10.97	2.25	1.50	0.75	1--8	0.75	2.25--14	1.13	7.2	P42
R106	10	6.0	13.7	1.69	2.24	8,929	9.78	15.78	2.25	1.50	0.75	1--8	0.75	2.25--14	1.13	9.8	P42
R108	10	8.0	17.89	1.69	2.24	8,929	11.78	19.78	2.25	1.50	0.75	1--8	0.75	2.25--14	1.13	12	P42
R1010	10	10.0	22.65	1.69	2.24	8,929	13.78	23.78	2.25	1.50	0.75	1--8	0.75	2.25--14	1.13	14	P42
R1014	10	14.0	31.31	1.69	2.24	8,929	17.78	31.78	2.25	1.50	0.75	1--8	0.75	2.25--14	1.06	18	P42

Green shading reflects rental inventory.



All specifications and data relating to capacity, function, performance, size, purpose, or design have been provided by the manufacturer. They have not been independently verified by LGH and LGH makes no representation or warranty as to their accuracy or completeness.