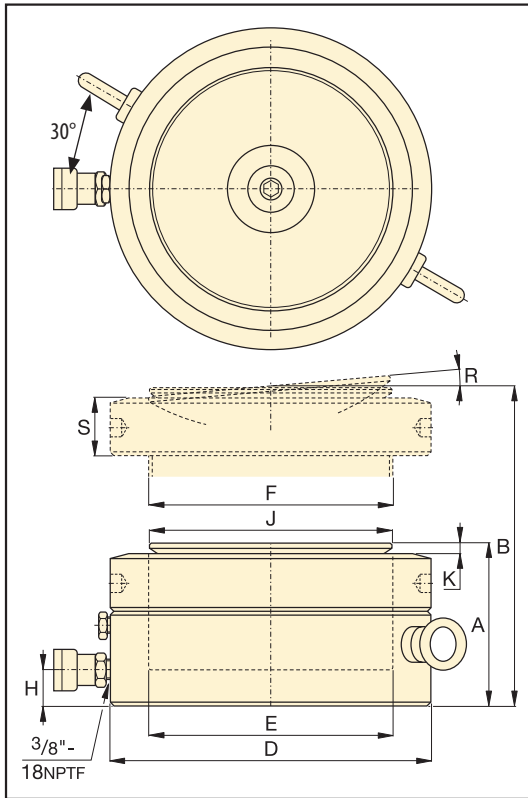


Hydraulic Cylinders | 60 – 600 Ton | CLP Series | Single Acting - Load Return - Pancake - Lock Nut


CLP-4002, CLP-5002 (shown)

Model CLP-5002




Note: These cylinders have tilt saddles.



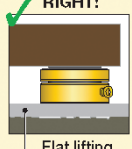


ALL CLP-SERIES CYLINDERS REQUIRE A SOLID LIFTING SURFACE FOR CORRECT SUPPORT.

USE OF PANCAKE CYLINDERS ON SURFACES SUCH AS SAND, MUD OR DIRT MAY RESULT IN CYLINDER DAMAGE!



WRONG!
Rough soil



RIGHT!
Flat lifting surface

For more safety instructions see our "Yellow Pages".

NOTE: Additional sizes available for rent. Consult LGH for availability.

Specifications

Cylinder Cap. Tons (Max)	Stroke (in.)	Model	Cylinder Effective Area (in. ²)	Oil Cap. (in. ³)	A Collapsed Height (in.)	B Extended Height (in.)	D Outside Diameter (in.)	E Cylinder Bore Diameter (in.)	F Plunger Diameter (mm)	H Base to Advance Port (in.)	J Saddle Diameter (in.)	K Saddle Protrusion from Plunger (in.)	R Saddle Max. Tilt Angle	S Lock Nut Height (in.)	Weight (lbs.)
60 (67.1)	1.97	CLP-602	13.42	26.42	4.92	6.89	5.51	4.13	Tr 104 x 4	.75	3.78	.24	5°	1.10	33
100 (113.7)	1.97	CLP-1002	22.75	44.78	5.39	7.36	6.89	5.38	Tr 136 x 6	.83	4.96	.31	5°	1.22	57
160 (179.2)	1.77	CLP-1602	35.85	63.51	5.83	7.60	8.66	6.76	Tr 171 x 6	1.06	6.30	.35	5°	1.57	97
200 (221.3)	1.77	CLP-2002	44.27	78.43	6.10	7.87	9.65	7.51	Tr 190 x 6	1.18	7.09	.39	5°	1.69	125
250 (284.2)	1.77	CLP-2502	56.85	100.72	6.26	8.03	10.83	8.51	Tr 216 x 6	1.26	7.87	.43	5°	1.73	163
500 (566.2)	1.77	CLP-5002	113.25	200.63	7.56	9.33	15.75	12.01	Tr 305 x 6	1.89	11.42	.39	3°	2.44	416
600	2	CLP6002D101ID	1327	265	9.89	11.89	16.93	n/a	n/a	2.07	12.20	.45	3°	2.70	630

Green shading reflects rental inventory.