



THE LIFTING EXPERTS

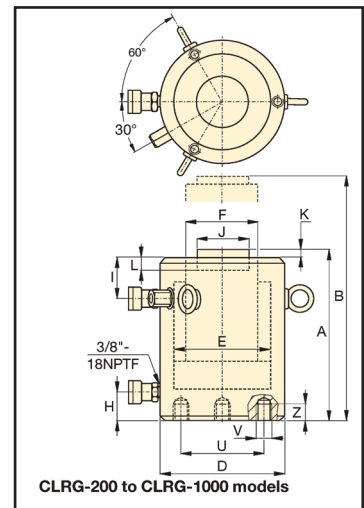
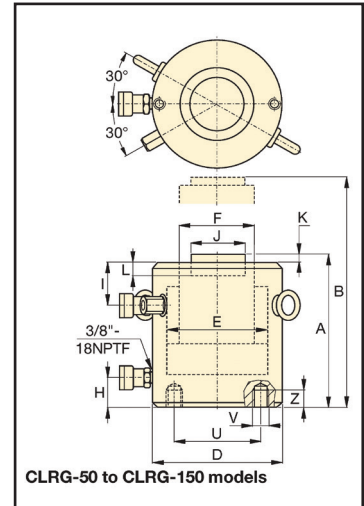
(800) 878-7305 | www.RentLGH.com | Rentals@RentLGH.com

Hydraulic Cylinders | 50 – 600 Ton | CLRG Series | Double Acting

Model CLRG-6006



Model CLRG-506



Base Mounting Hole Dimensions (in.)			
Model/Capacity (ton)	Bolt Circle U	Thread Size V (mm)	Minimum Thread Depth Z
CLRG-50	2.56	M12	.87
CLRG-100	3.74	M12	.87
CLRG-150	5.12	M12	.87
CLRG-200	6.50	M12	.87
CLRG-600	10.83	M24	1.50

Specifications																			
Cylinder capacity (tons)	Stroke (in.)	Model Number	Maximum Cylinder Capacity (tons)		Cylinder Effective Area (in.2)		Oil Capacity (in.3)		A Collap. Height (in.)	B Ext. Height (in.)	D Outside Diam. (in.)	E Cyl. Bore Diam. (in.)	F Plunger Diam. (in.)	H Base to Advance Port (in.)	I Top to Retract Port (in.)	J Standard Saddle Diam. (in.)	K Saddle Protrusion from Plngr (in.)	L Depth of Plunger Hole (in.)	Weight (lbs.)
			Push	Pull	Push	Pull	Push	Pull											
50	5.91	CLRG-506	59.1	29	11.81	5.85	69.75	34.52	10.31	16.22	5.12	3.88	2.76	1.65	1.29	1.97	.04	.75	51
	5.91	CLRG-1006	102.9	48	20.57	9.59	121.50	56.61	11.09	17.00	6.50	5.12	3.74	2.13	1.89	2.95	.04	.75	88
100	11.81	CLRG-10012	102.9	48	20.57	9.59	242.99	113.23	17.00	28.81	6.50	5.12	3.74	2.13	1.89	2.95	.04	.75	157
200	5.91	CLRG-2006	206.1	98	41.22	19.68	243.40	116.23	12.44	18.35	9.25	7.24	5.24	2.62	2.22	4.45	.04	.94	201
300	5.91	CLRG-3006	353.6	117	70.71	23.46	417.56	138.55	16.22	22.13	12.20	9.49	7.76	3.98	2.95	6.97	.04	.75	511
600	5.91	CLRG-6006	662.9	229	132.57	45.79	782.90	270.39	20.83	26.73	16.93	12.99	10.51	4.49	5.31	9.72	.12	1.06	1246

Green shading reflects rental inventory.



All specifications and data relating to capacity, function, performance, size, purpose, or design have been provided by the manufacturer. They have not been independently verified by LGH and LGH makes no representation or warranty as to their accuracy or completeness.

spec sheet 152
October 06, 2023 11:50 AM