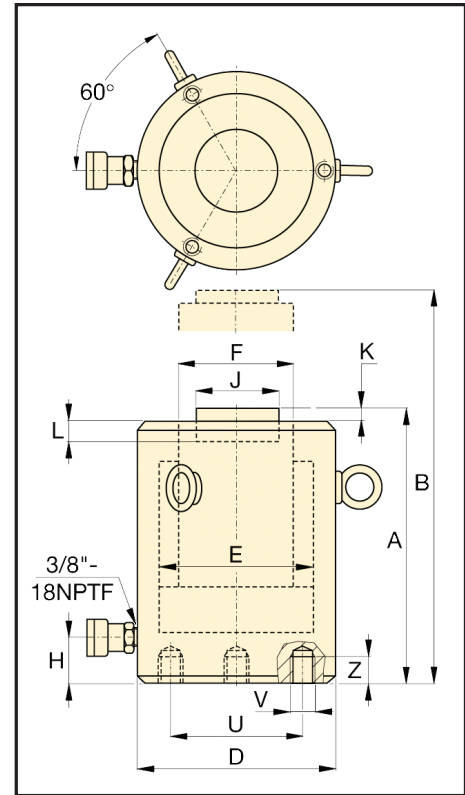
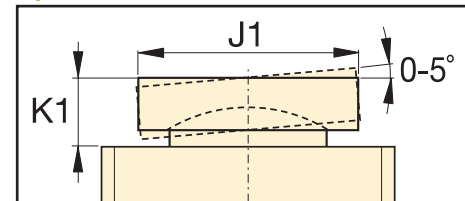


Hydraulic Cylinders | 400 Ton | CLSG Series | Single Acting - Load Return

Model CLSG-4006

Optional Tilt Saddle


Specifications

Cylinder Capacity (tons)	Stroke (in.)	Model	Cyl. Effect Area (in.2)	Oil Cap (in.3)	A Collap. Height (in.)	B Ext. Height (in.)	D Outside Diam (in.)	E Cyl. Bore Diam (in.)	F Plngr. Diam. (in.)	H Cyl. Base to Advance Port (in.)	J Saddle Diam. (in.)	J1	K Saddle Protrusion from Plngr (in.)	K1	L Depth of Plunger Hole (in.)	Base Mounting Holes			Weight (lbs.)
																U Bolt Cir. Diam (in.)	V Thread (in.)	Z Thread Depth (in.)	
400	5.91	CLSG-4006	86.78	512.51	18.68	24.59	13.78	10.51	8.50	4.49	7.72	7.59	.12	2.32	1.06	8.07	M16	1.42	728