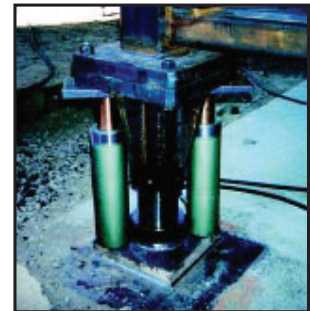
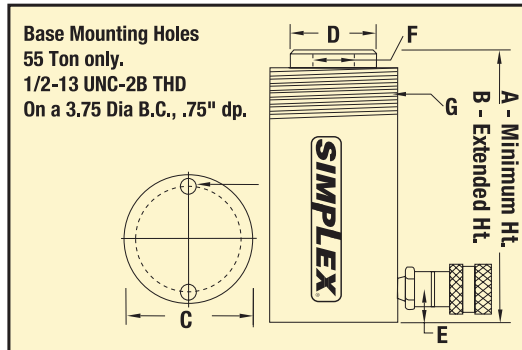


## Hydraulic Cylinders | 55 – 100 Ton | R Series | Single Acting - Spring Return


**Model R-5513**


Contractors called on the brute force of Simplex R5513 cylinders to lift and position highway ramps in San Diego. G6 provided the power and control in this rough outdoor application.

### Specifications

Model	Cap. (tons)	Stroke (in.)	Oil Cap. Req'd (cu. in.)	Ram Bore Dia. (in.)	Effect Area (sq. in.)	Pres. @ Cap. (psi)	A		C	D	E	F		G		Wgt. (lbs.)	Sugstd. Hand Pump
							Min. Ht. (in.)	Ext. Ht. (in.)				Piston I.D. Thrs (in.)	Piston Thrs Depth (in.)	Collar Thrs (in.)	Collar Thrd Lgth (in.)		
R554	55	4.0	44.16	3.75	11.04	9,960	8.94	12.94	5	3.13	1.38	—	—	5-12	2.81	42	P82A
R556	55	6.19	69.0	3.75	11.04	9,960	11.06	17.25	5	3.13	1.38	—	—	5-12	2.81	51	†
R5513	55	13.25	146.3	3.75	11.04	9,960	18.26	31.51	5	3.13	1.38	—	—	5-12	2.81	83	†
R756	75	6.06	95.4	4.5	15.90	9,430	11.31	17.37	5.75	3.75	1.19	—	—	5.75-12	1.75	65	†
R1006	100	6.63	137.0	5.13	20.63	9,695	14.06	20.69	7	4.13	1.62	—	—	6.87-12	1.75	90	†
R10010	100	10.25	212.0	5.13	20.63	9,695	17.69	27.94	7	4.13	1.62	—	—	6.87-12	1.75	110	†

Green shading reflects rental inventory.  
 † Power pumps are suggested for these units.