



THE LIFTING EXPERTS

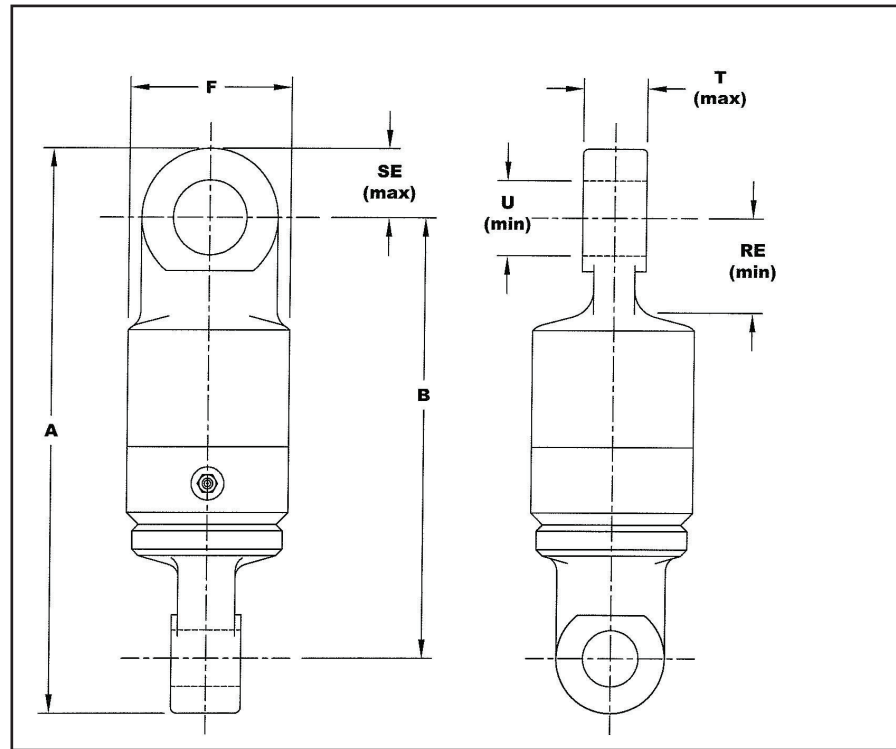
(800) 878-7305

www.RentLGH.com

Rentals@RentLGH.com

Swivels | 7 – 25 Ton | EE Model

12EE Eye & Eye



Dimensions								
Model Number	Weight	A Overall Length	B Net Length	F Swivel Diameter	RE Pin to Obstruction	SE Pin to End of Fitting	T Thickness of Eye	U Hole Diameter
Eye & Eye Swivels								
7EE	16	11.875	9.375	3.250	1.875	1.375	1	1.312
12EE	30	15	11	4	2.750	2	1.250	1.781
25EE	44	17.750	13	5.250	2.875	2.375	1.625	2.093

Green shading reflects rental inventory.