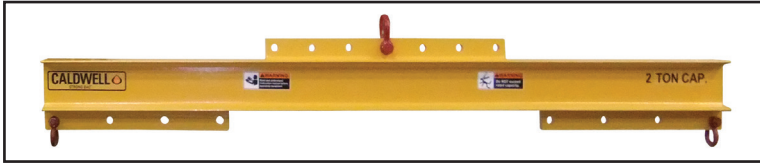


## Lifting Beams | 4 - 12 Ton | Model 16 & Model AB | Low Headroom

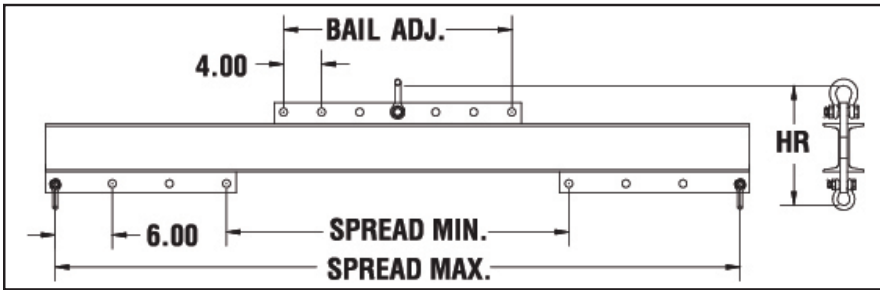
### Model 16-4-8



Specifications								
Model No.	Rated Capacity (Ton)	Spread (in.)		Bail Adjustment (in.)	Headroom (in.)	Bolt Type Anchor Shackle (tons)		Weight (lbs.)
		Max	Min			Top	Bottom	
16-4-8	4	96	48	32	16.75	4 3/4	4 3/4	290
16S-4-10	4	120	48	40	19.75	4 3/4	4 3/4	452

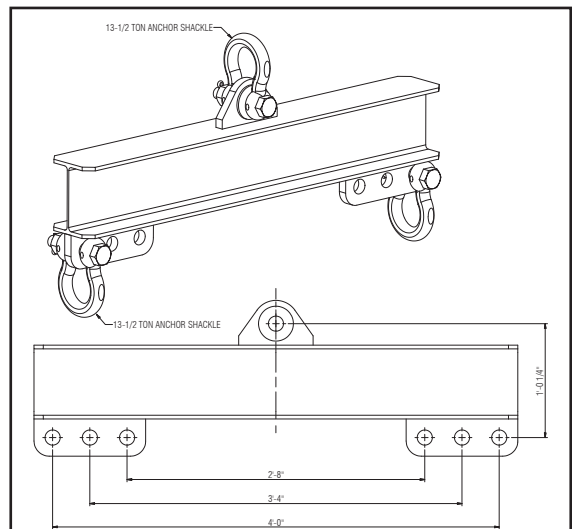
*Green shading reflects rental inventory.*

### Model 16-4-8 Specifications



### AB-5110

### Model AB-5110 Specifications



Specifications								
Model No.	Rated Capacity	Spread (in)		Bail Adjustment (in)	Headroom (in)	Bolt Type Anchor Shackle (tons)		Weight (lbs)
		Max	Min			Top	Bottom	
AB-5110	12	48	32	NA	16.75	13 1/2	NA	175

*Green shading reflects rental inventory.*