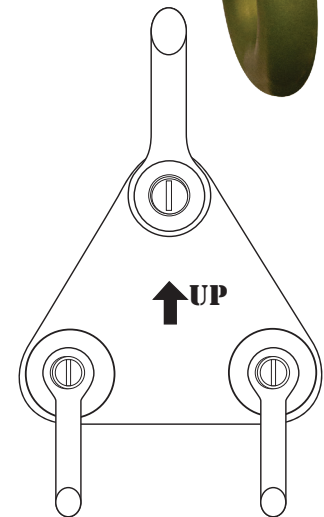
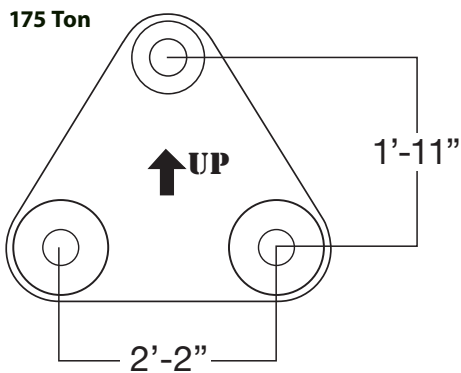
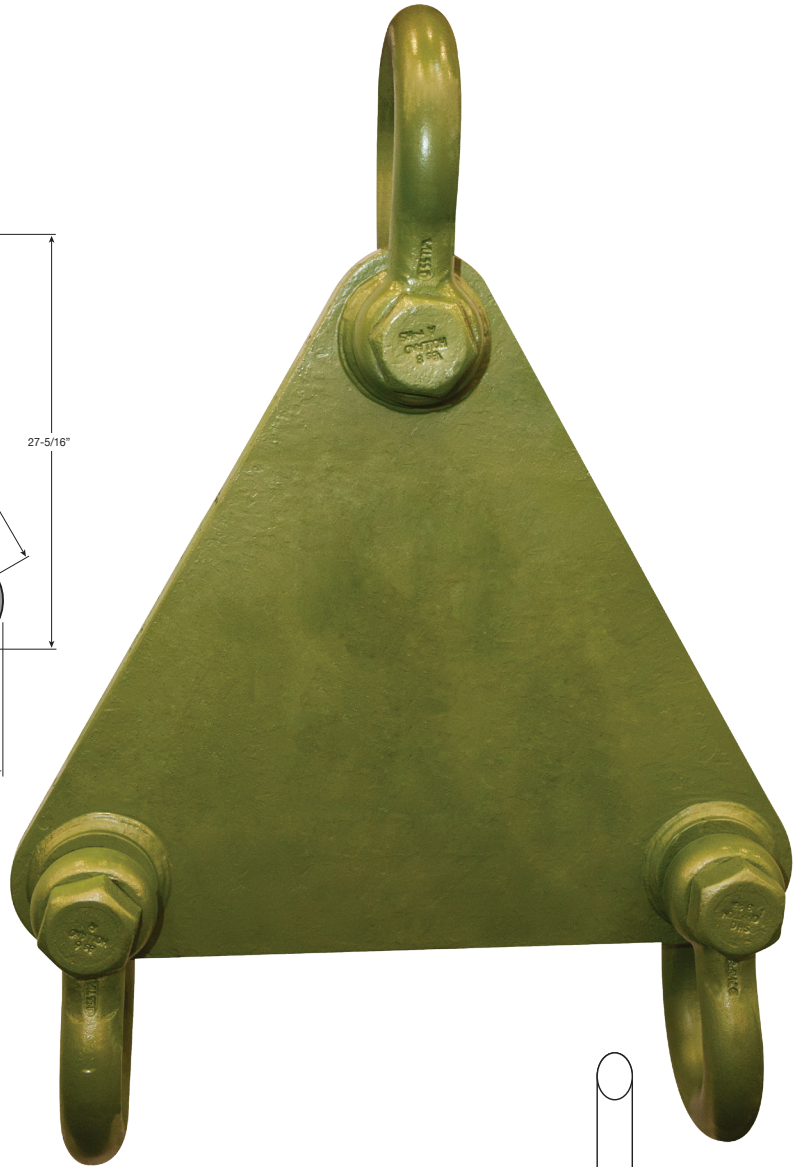
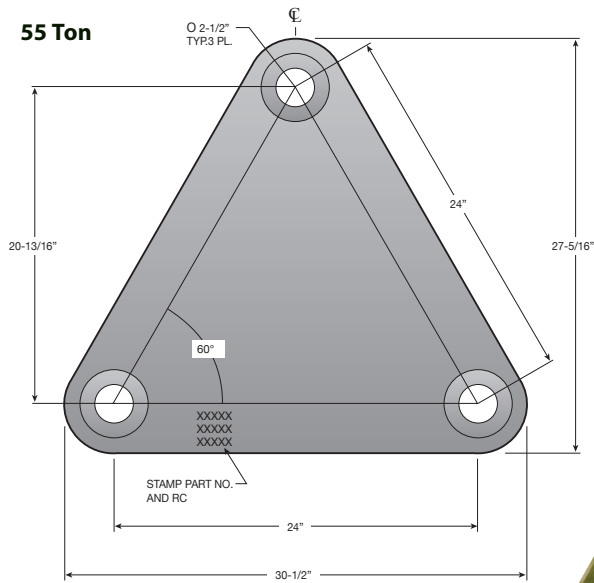


Tri-Link | 55 & 175 Ton



Specifications			
Model	Shackles	Width (Center to Center)	Weight (Lbs.)
55 Ton Tri-Link with Shackles	(3) 55 Ton Alloy Bolt Type Shackles	24"	416
175 Ton Tri-Link with Shackles	(2) 85 Ton Alloy Bolt Type Shackles (1) 200 Ton Alloy Bolt Type Shackle	26	1,058

Green shading reflects rental inventory.