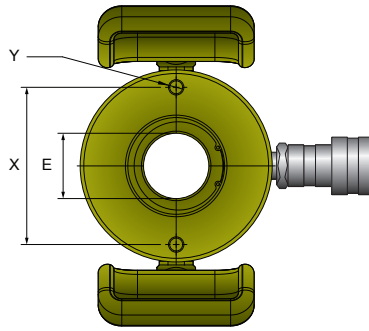
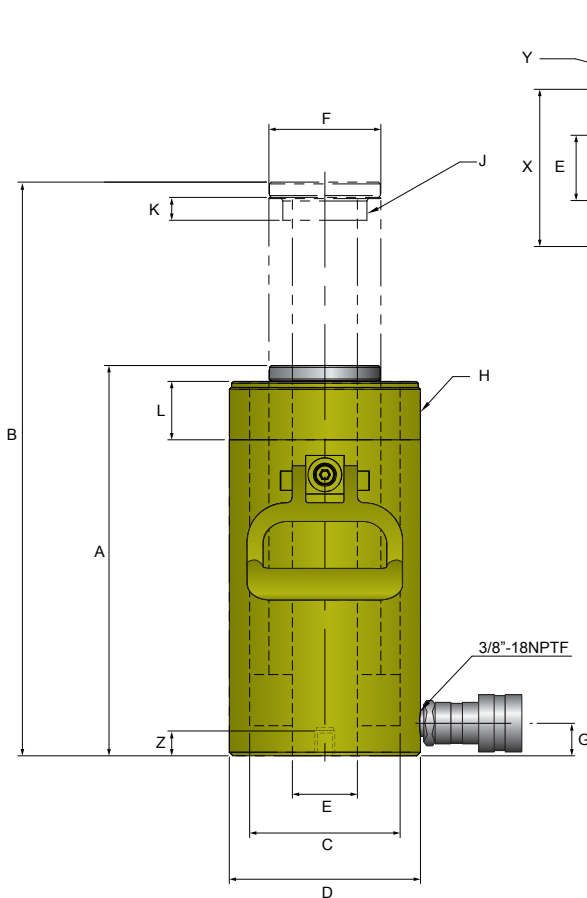


Hydraulic Cylinders | 30 Ton | HC Series | Hollow Hole

Model HC3002T



Specifications						
Model	Capacity (Tons)	Stroke (In.)	Cylinder Effective Area (In. ²)	Internal Pressure At Capacity (psi)	Oil Capacity (In. ³)	Weight (Lbs.)
HC3002T	30	2.52	6.32	9,488	15.93	22.9

Green shading reflects rental inventory.

Dimensions														
Model	Collapsed Height A (in.)	Extended Height B (in.)	Bore Dia. C (in.)	Outside Dia. D (in.)	Rod				Collar Thread		Rod Thread Length K (in.)	Base Mounting Hole		
					I.D. E (in.)	O.D. F (in.)	Internal Thread J (in.)	Internal Thread Length K (in.)	Diameter H (in.)	Length L (in.)		Bolt Circle X	Thread Y	Thread Depth Z
HC3002T	7.05	9.57	2.84	4.50	1.31	2.48	1 ¹³ / ₁₆ "-16UN	0.87	4 ¹ / ₂ "-12	1.66	0.91	3.62	3/8"-16UNC	0.55

Green shading reflects rental inventory.