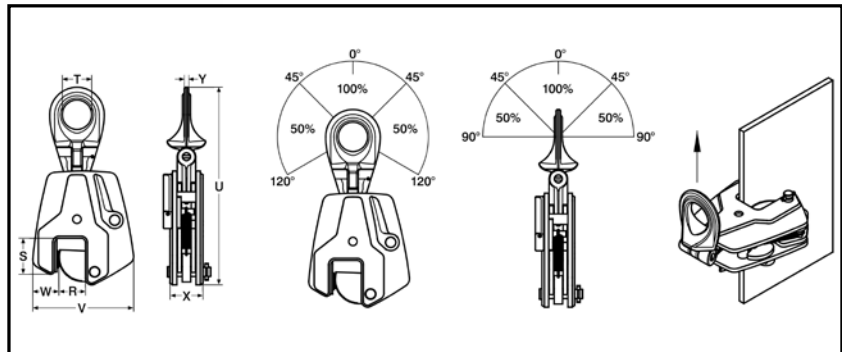


Plate Clamps | 1.5 - 5 Ton | UPC | Pe Clamps

**Model
VUP**



| Specifications | | | | | | | | | | |
|----------------|------------|------------------|------------|--------|--------|--------|--------|--------|--------|--------------|
| Model | WWL (lbs)* | Jaws with R (in) | Dimensions | | | | | | | Weight (lbs) |
| | | | S (in) | T (in) | U (in) | V (in) | W (in) | X (in) | Y (in) | |
| VUP 1.5 T | 3,300 | 0 - 1.37 | 3.62 | 2.80 | 14.784 | 7.56 | 2.40 | 2.20 | 0.63 | 20 |
| VUP 3.5 T | 7,700 | 0 - 1.77 | 3.39 | 2.80 | 14.84 | 9.45 | 2.44 | 3.07 | 0.75 | 44 |
| VUP 5 T | 11,000 | 0 - 1.96 | 4.57 | 3.07 | 18.46 | 10.75 | 2.91 | 3.23 | 0.83 | 59 |

Green shading reflects rental inventory.

Before using the clamp, always read the Operator's Manual supplied.