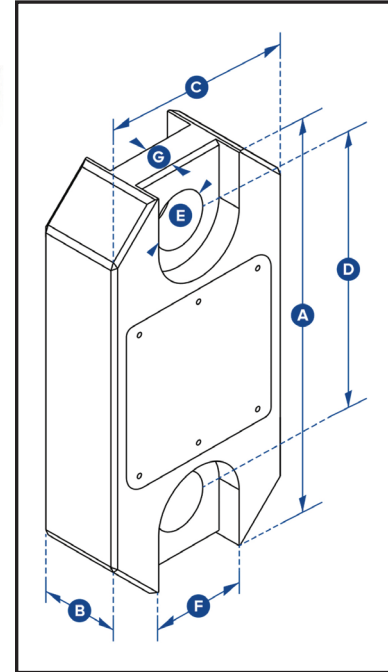


Digital Load Links | 2,200Lbs. – 330,000Lbs. | RLP Series | Treadstone Models

Model RLP25T


- Proprietary 2.4 GHz wireless
- Industry leading wireless range of 1000m/3280ft
- Error free data transmission
- Unrivalled resolution
- Environmentally sealed to IP67/NEMA6
- 90db Audible overload alarm
- Unmatched battery life of 1200hrs
- Internal antenna
- Compact size
- Remote on-off
- Lightweight aluminum
- 100 Hz Peak hold
- Advanced options available
- Push button tare
- Design validated by F.E.A.
- Units are DNV GL approved

Dimensions

Model	A (in)	B (in)	C (in)	D (in)	ØE (in)	F (in)	G (in)	Crosby Shackles	Loading Pin Ø (in)
RLP1T	8.03	1.69	4.09	5.75	0.96	1.89	0.75	G2130	3/4
RLP6T5	9.80	1.69	4.45	6.50	1.50	2.60	1.26	G2130	1
RLP12T	12.01	1.85	4.45	7.60	1.87	Not relevant in this capacity.		G2130	1 1/8
RLP25T	13.39	2.36	4.53	8.46	2.17			G2130	2
RLP55T	16.69	2.95	7.09	9.06	2.99			G2140	2 1/4
RLP75T	18.50	2.95	7.95	10.24	2.99			G2130	2 3/4
RLP100T	23.94	3.90	10.04	12.60	4.29		G2140	3 1/4	
RLP150T	26.38	3.90	11.93	14.17	4.29		G2140	3 3/4	

Green shading reflects rental inventory.

** RLP500T is not DNV certified.*

Specifications

Model	Capacity (lbs)	Resolution (lbs)	Units	Weight (lbs)	Safety Factor	Battery Type	Battery Life	Display Type	Operating Temp	Accuracy	Frequency	System Range (ft)	Data Rate	Protection
RLP1T	2,200	1	lb	3.1	12:1	Handheld 2 x AA/Load cell 4 x AA	Handheld 40 hours/ Load cell 1200 hours continuous	Digital multi line dot matrix with backlight	-10°C to +50°C / 14°F to 122°F	± 1% of Full Scale	2.4 GHz	3,280	3 Hz – up to 200 Hz can be ordered for dynamic load monitoring applications	IP67 / NEMA 6
RLP6T5	14,300	2	lb	4.4	7:1									
RLP12T	26,000	5	lb	7.1	7:1									
RLP25T	55,000	10	lb	11	5:1									
RLP55T	120,000	20	lb	25.3	5:1									
RLP75T	165,000	20	lb	35.3	5:1									
RLP100T	220,000	100	lb	75	5:1									
RLP150T	330,000	100	lb	101.4	4:1									

Green shading reflects rental inventory.

** RLP500T is not DNV certified.*