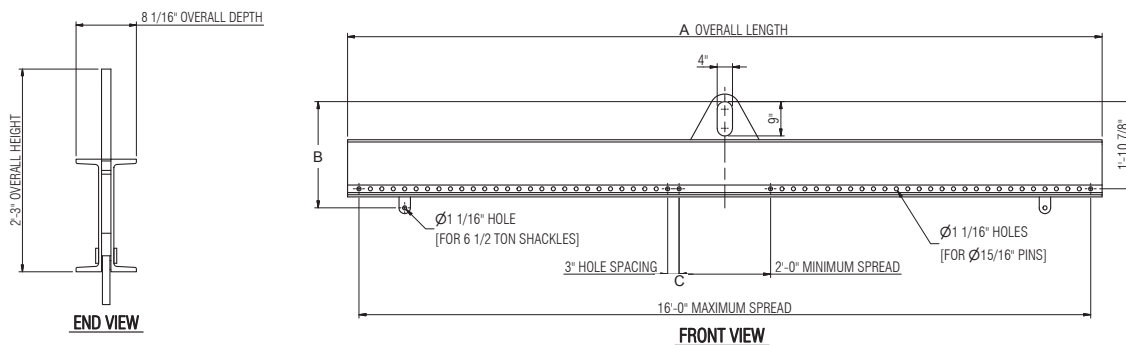
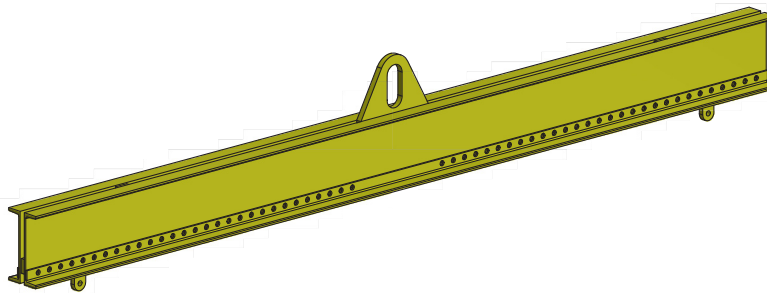
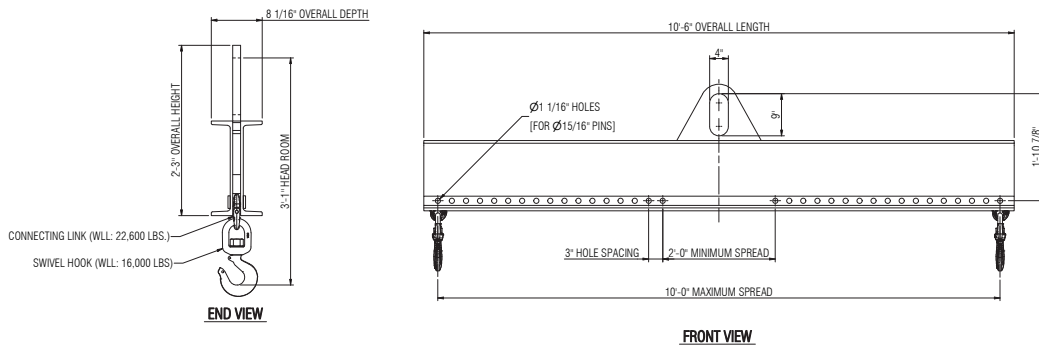
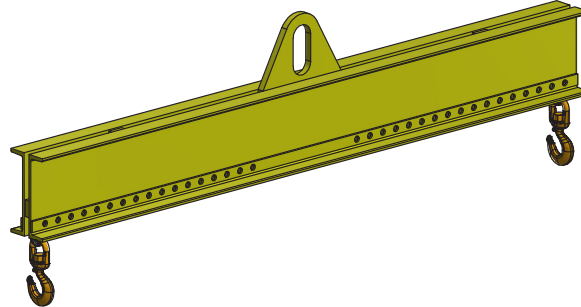


## Lifting Beams | 10 ton | Low Headroom Lifting Beam



Specifications					
Model	Capacity (ton)	Weight (lbs)	A	B	C
			Overall Length	Headroom	Max Spread (ft)
A-10Tx10(ARS)	10	820	10'6"	1'-10 7/8"	10
A-10Tx14 (ARS)	10	1,100	14'6"	2' 3/8"	14
A-10Tx16 (ARS)	10	1,245	16'6"	2' 3/8"	16