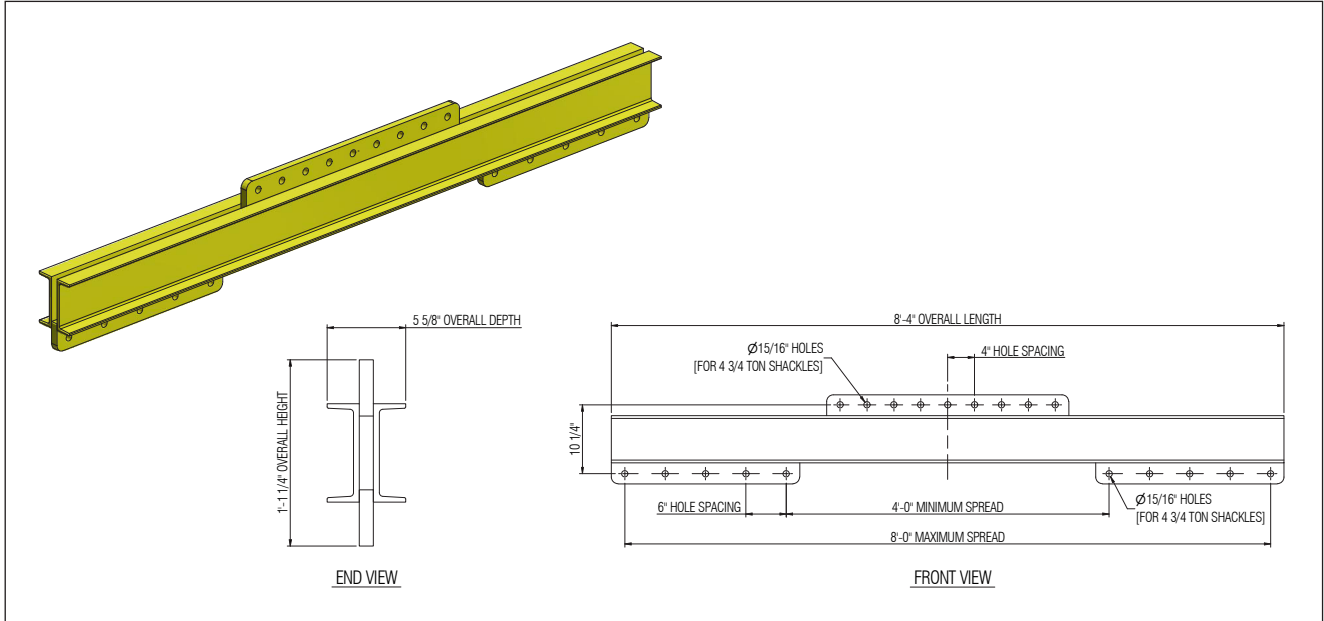
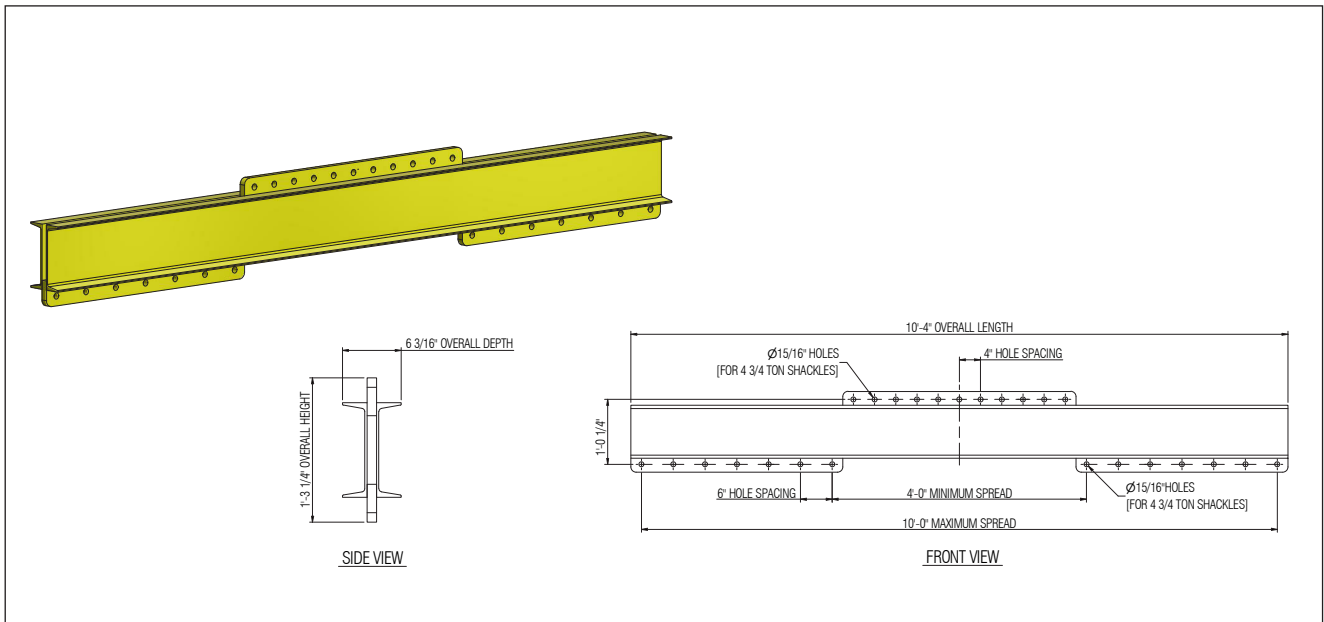


Lifting Beam | 4 Ton | Low Headroom Lifting Beam

A-4Tx8



A-4Tx10



Specifications					
Model	Capacity (ton)	Weight (lbs)	A	B	C
			Overall Length	Min Spread (ft)	Max Spread (ft)
A-4Tx8 (ARS)	4	338	8'4"	4' 0"	8
A-4Tx10 (ARS)	4	444	10'4"	4' 0"	10

Green shading reflects rental inventory.