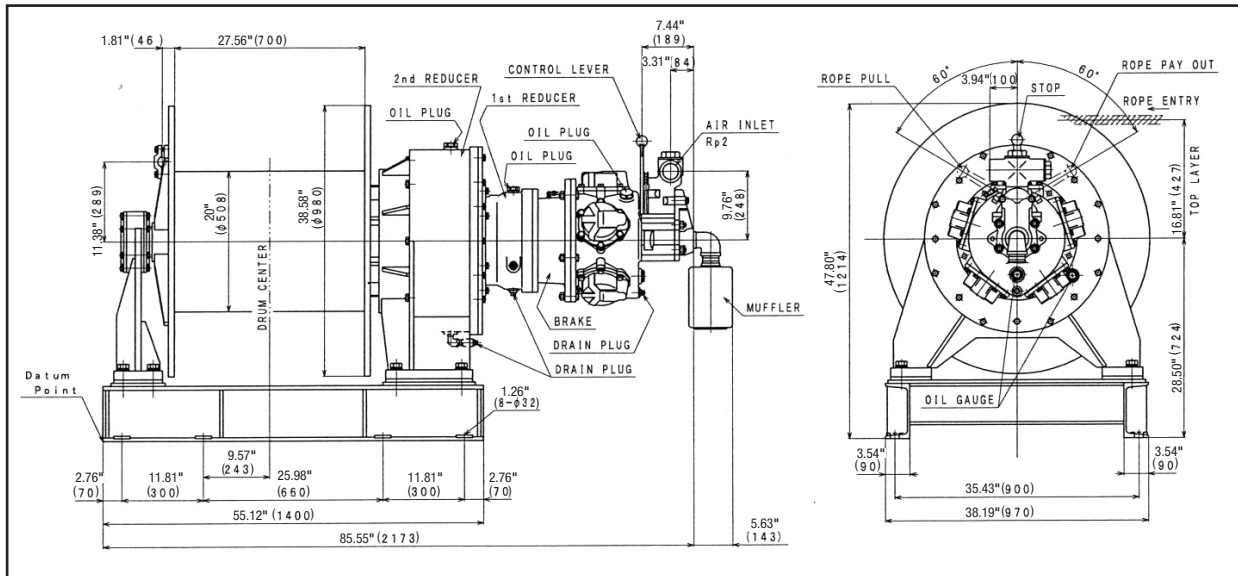




THE LIFTING EXPERTS

(800) 878-7305 www.RentLGH.com Rentals@RentLGH.com

Air Winches | 22,000 lbs | MP-AH45-100-S1HG | Long Drum with Internal Brake



Specifications								
Air Pressure (psi)	Motor Power (hp)	Rope Pull (lbs)	Rope Speed (ft/min)	Air Consumption (cfm)	Rope Capacity (in x ft)	Lubricating Oil		Mass (lbs)
						Motor	Reducer	
90	23.93	22,000	28	600	7/8 x 2250 1 x 1775 1 1/4 x 1075 1 1/2 x 800	10W30 Detergent Motor Oil	Gear Oil GL2-90W	4300

Green shading reflects rental inventory.

