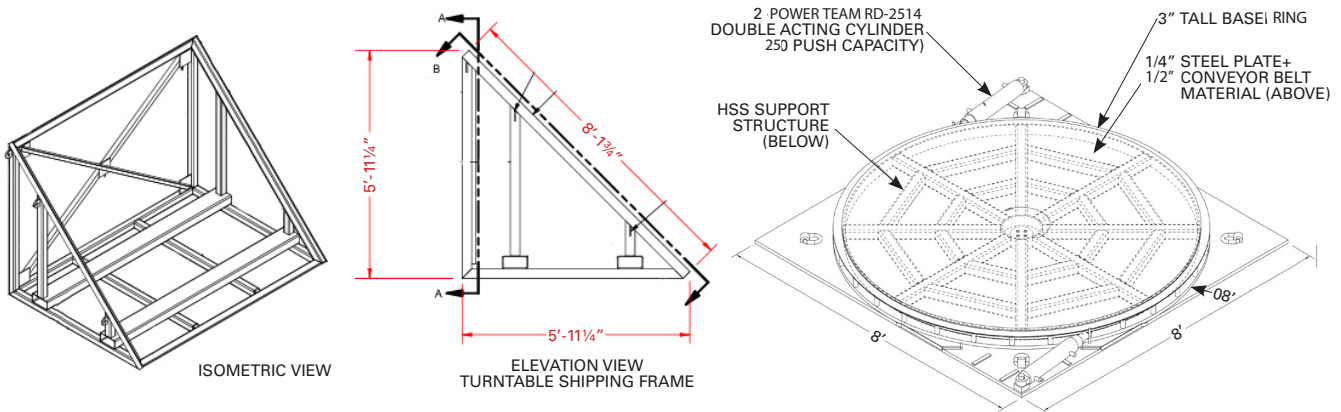
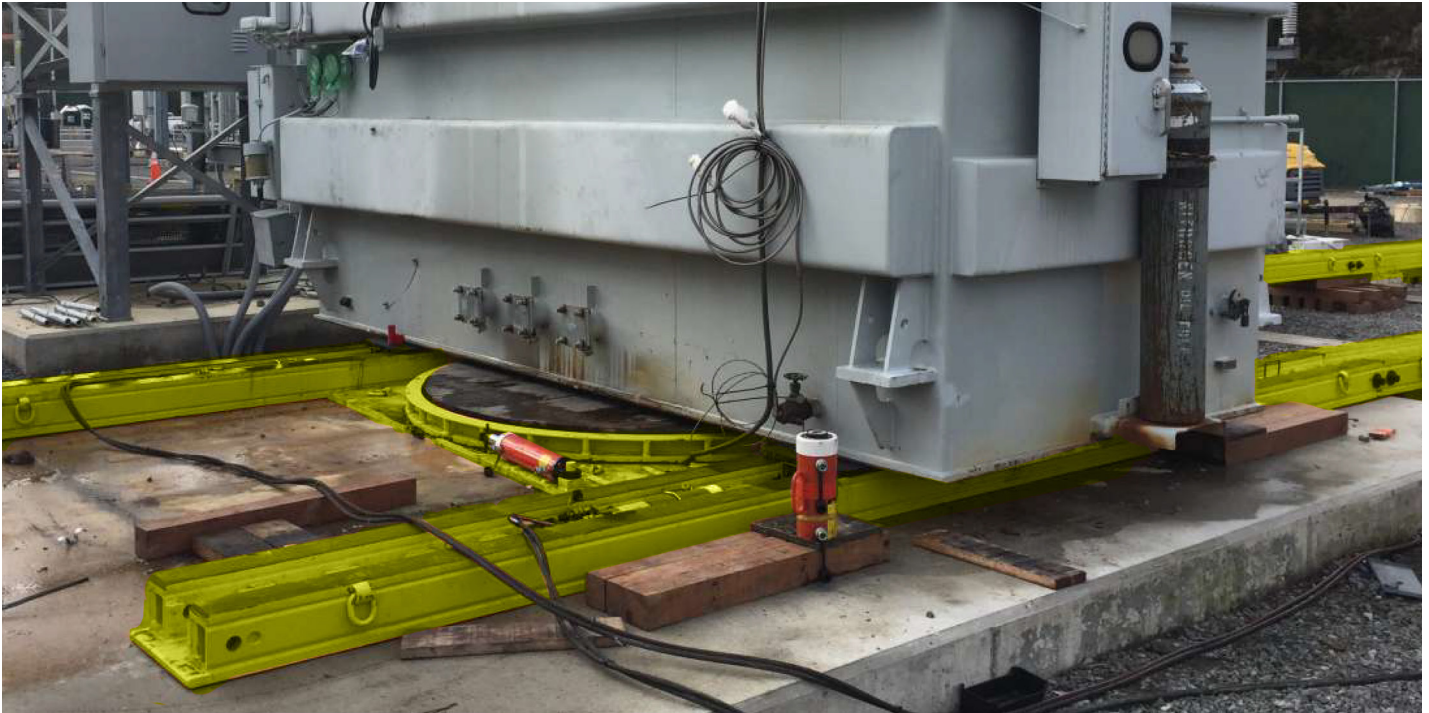




THE LIFTING EXPERTS

(800) 878-7305 www.RentLGH.com Rentals@RentLGH.com

Hydraulic Turntable | 500 Ton | TT250/500-8 | Hydraulic Turntable w/ Support Structure



Specifications

Model	System Capacity (tons)	Turntable Height (in)	Cylinder Capacity (tons)	No. of Push Cylinders	Cylinder Stroke (in)	Cylinder Hydraulic Couplers	Rotation Speed	Loading Surface Material	Max. Operating Pressure (psi)	Base Dimensions (ft)	Rotating Plate Diameter (ft)	System Weight (lbs)
TT250/500-8	500 (2 cyl. System)	6	25	2	14.25	Enerpac CR400 (female)	90° / 7min	Rubber	10,000	8 x 8	8	6400

Green Shading reflects rental inventory.



All specifications and data relating to capacity, function, performance, size, purpose, or design have been provided by the manufacturer. They have not been independently verified by LGH and LGH makes no representation or warranty as to their accuracy or completeness.

spec sheet 372
June 27, 2024 12:00 PM